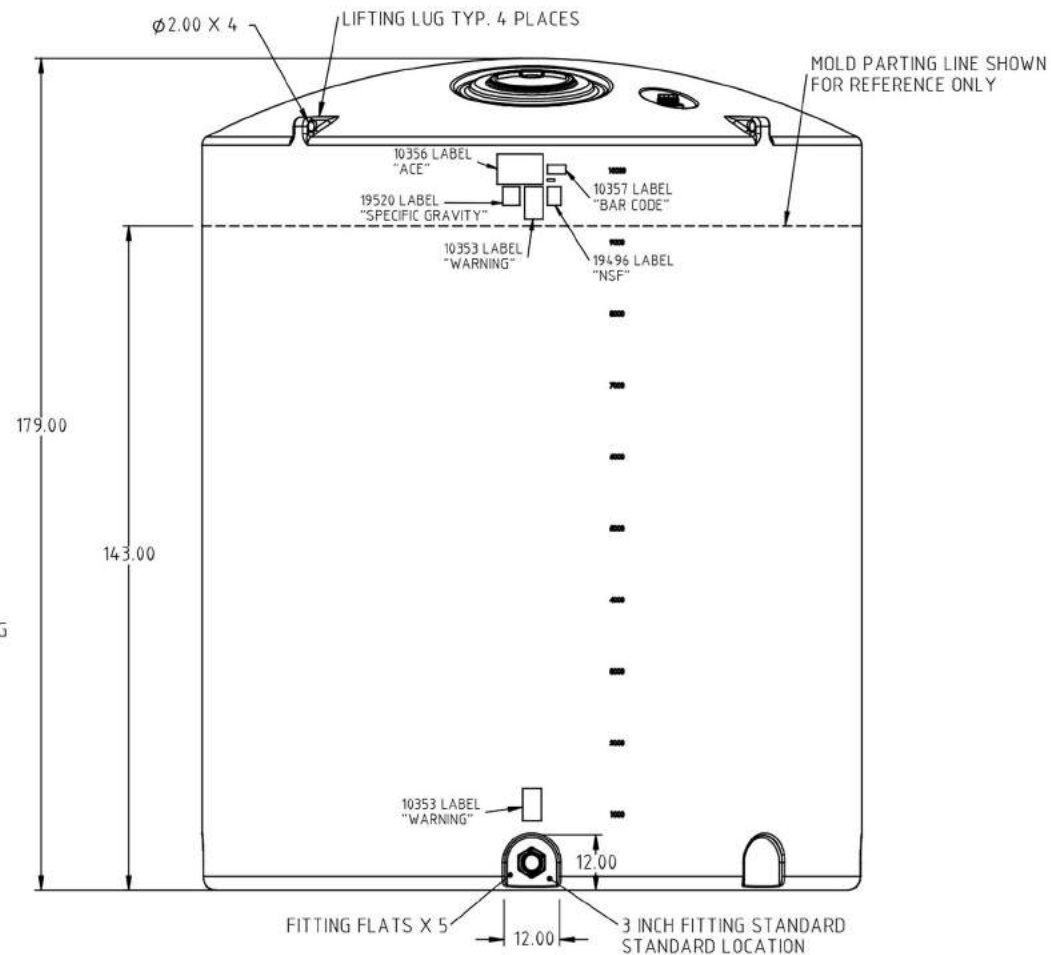
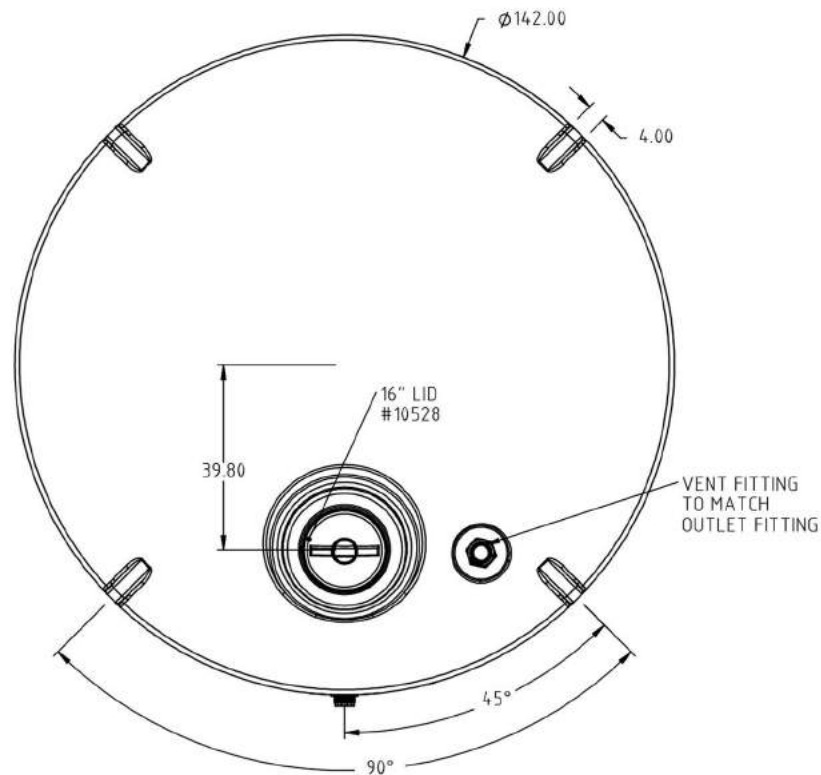


Copyright All information furnished within this document, electronic file or design correspondence is the property of Den Hartog Industries, Inc. and shall not be used, disclosed to others or copied without the expressed written consent of Den Hartog Industries, Inc.



				DRAWN / DATE ADH 7/10/13	MATERIAL	
				APPRD. / DATE REH 8/7/13	10538 2 MELT	
REV	DESCRIPTION	BY / DATE	CCN			
	ALL DIMENSIONS ARE IN DECIMAL INCHES TOLERANCES UNLESS OTHERWISE SPECIFIED	THIRD ANGLE PROJECTION ANSI 14.5M		SHOT WEIGHT: 2800.00 LBS S.G. 1.75 2500.00 LBS S.G. 1.60	NOTES:	DESCRIPTION 10500 GALLON VERTICAL TANK
	POLYETHYLENE	METAL DECIMAL ± .125" FRACTION ± 1/4" ANGLE ± 1°		SHIPPING WEIGHT: 2802.00 LBS S.G. 1.75 2502.00 LBS S.G. 1.60	1.) WHITE, BLACK, OR YELLOW COLOR	SCALE N.S.
	±1% @ 68°F			FINISH:		PART NO.