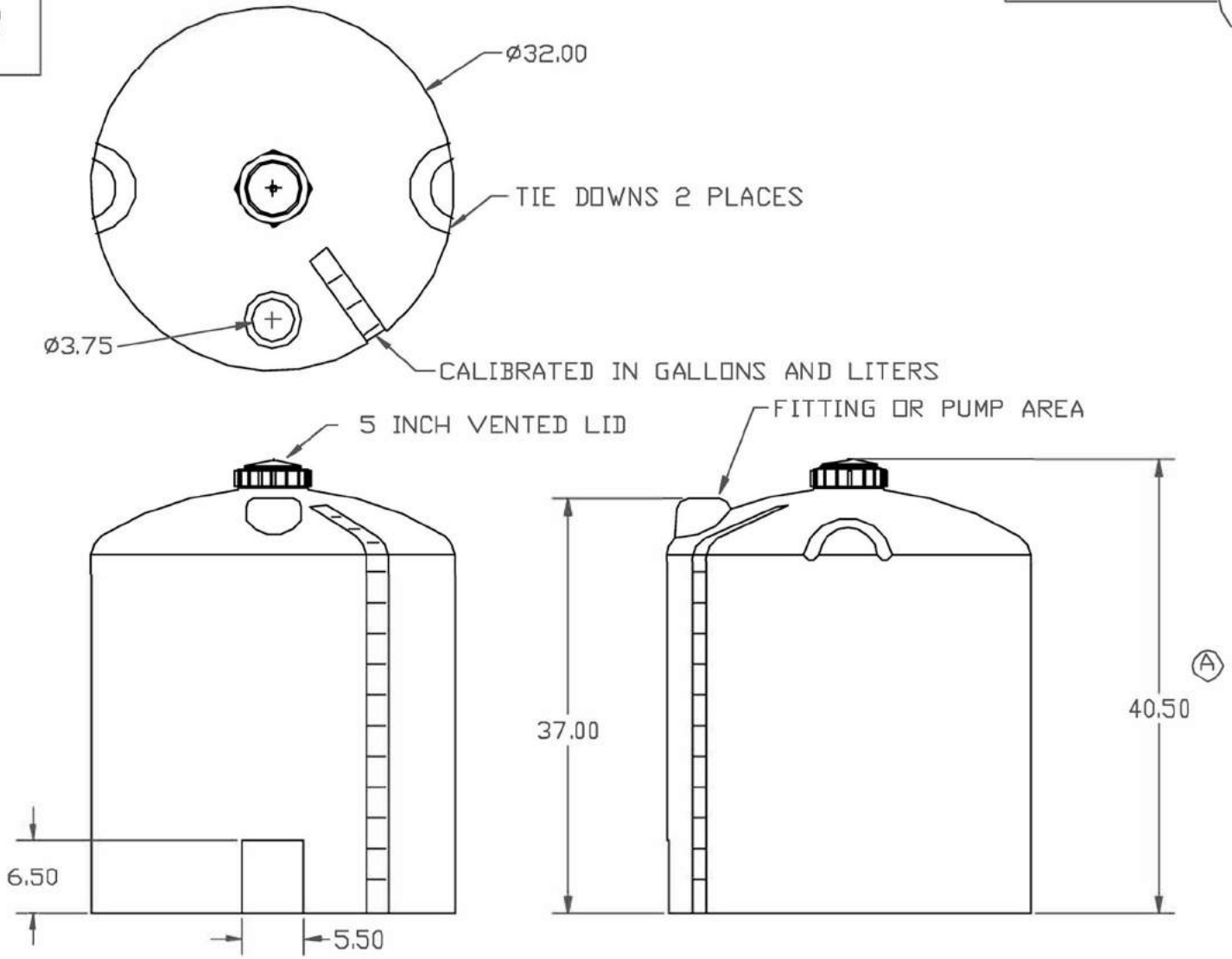


PROPRIETARY DATA

PROPERTY OF ACE ROTO-MOLD MFG., INC. INFORMATION FURNISHED HEREIN IS THE PROPERTY OF ACE ROTO-MOLD MFG., INC. AND SHALL NOT BE USED, DISCLOSED TO OTHERS, OR COPIED WITHOUT THE EXPRESSED WRITTEN CONSENT OF ACE ROTO-MOLD MFG., INC. ALL RIGHTS RESERVED.

A



		DRAWN / DATE DHJ 12/17/02		MATERIAL HDPE OR EQUIVALENT REFERENCE MATERIAL DATA SHEET FOR SPECIFIC PROPERTIES.	
A	WAS 39.50 CCN 1290	4/9/07	DHJ	APPRD. / DATE REH 4/11/07	CLIENT / DESCRIPTION 110 GALLON VERTICAL TANK
REV	DESCRIPTION	DATE	APPRD		
ALL DIMENSIONS ARE IN DECIMAL INCHES TOLERANCES UNLESS OTHERWISE SPECIFIED $\pm 1\% @ 68^\circ F$				THIRD ANGLE PROJECTION ANSI 15.5 	
				NOTES: 1. GREEN, WHITE, OR YELLOW COLOR 2. SHOT WEIGHT 41 LBS. 3. NOM. WALL .221 4. 2 INCH STANDARD FITTING	
				SCALE N.S.	
				PART NO.	

VSA110

(866) 776-8265

PROTANK

sales@protank.com