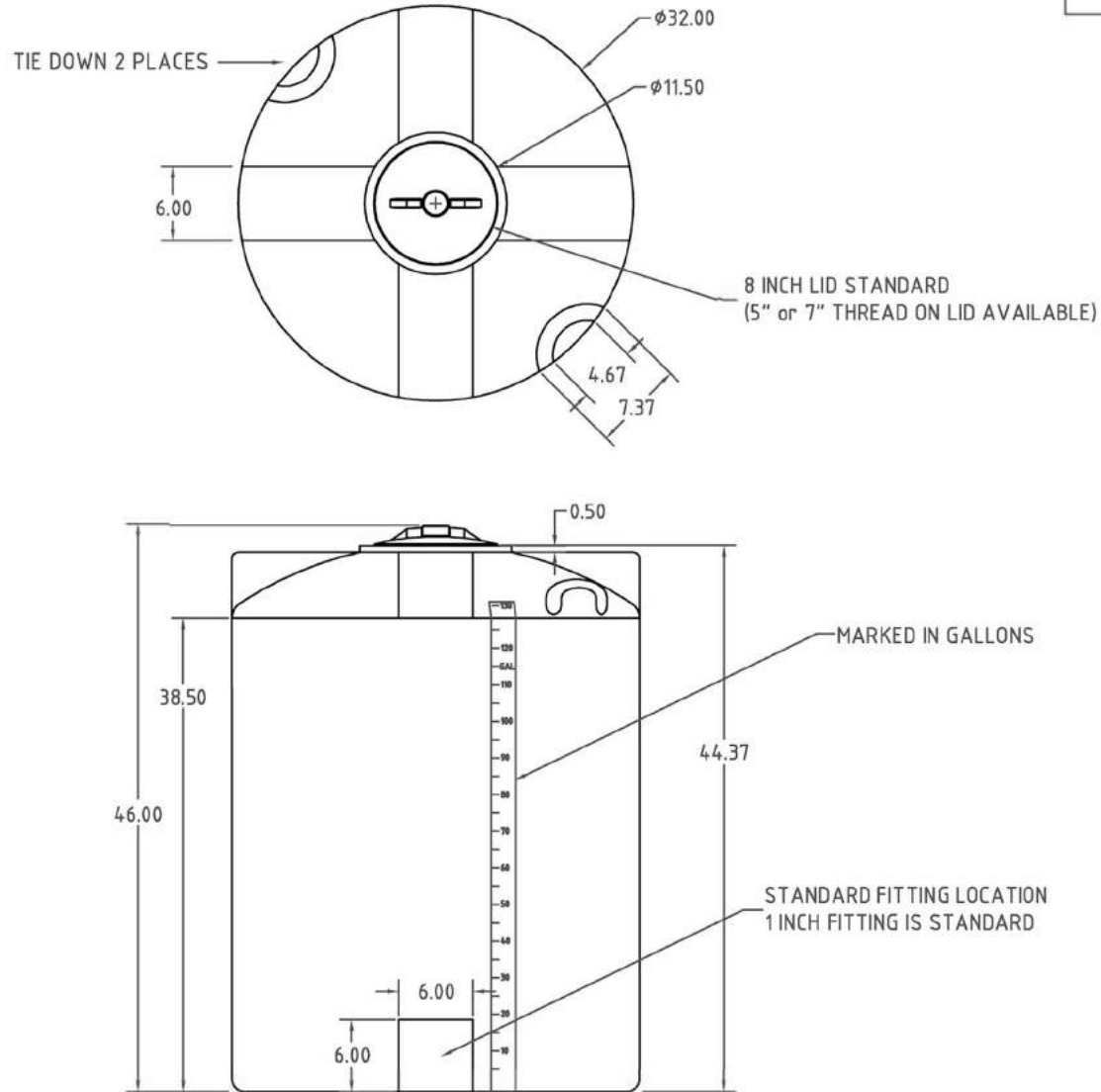


Copyright. All information furnished within this document, electronic file or design correspondence is the property of Den Hartog Industries, Inc. and shall not be used, disclosed to others or copied without the expressed written consent of Den Hartog Industries, Inc.



				DRAWN / DATE DHJ 3/31/09	MATERIAL 10420 3 MELT	
				APPRD. / DATE REH 5/20/09		
REV	DESCRIPTION	BY / DATE	CCN			
	ALL DIMENSIONS ARE IN DECIMAL INCHES TOLERANCES UNLESS OTHERWISE SPECIFIED			SHOT WEIGHT: 45 LBS.	NOTES: 1. .200 WALL	DESCRIPTION 130 GALLON X 32" DIA. VERTICAL TANK
	POLYETHYLENE ±1% @ 68° F			SHIPPING WEIGHT: 47 LBS.		SCALE N.S.
	METAL DECIMAL ± .125" FRACTION ± 1/4" ANGLE ± 1°			FINISH:		PART NO.

