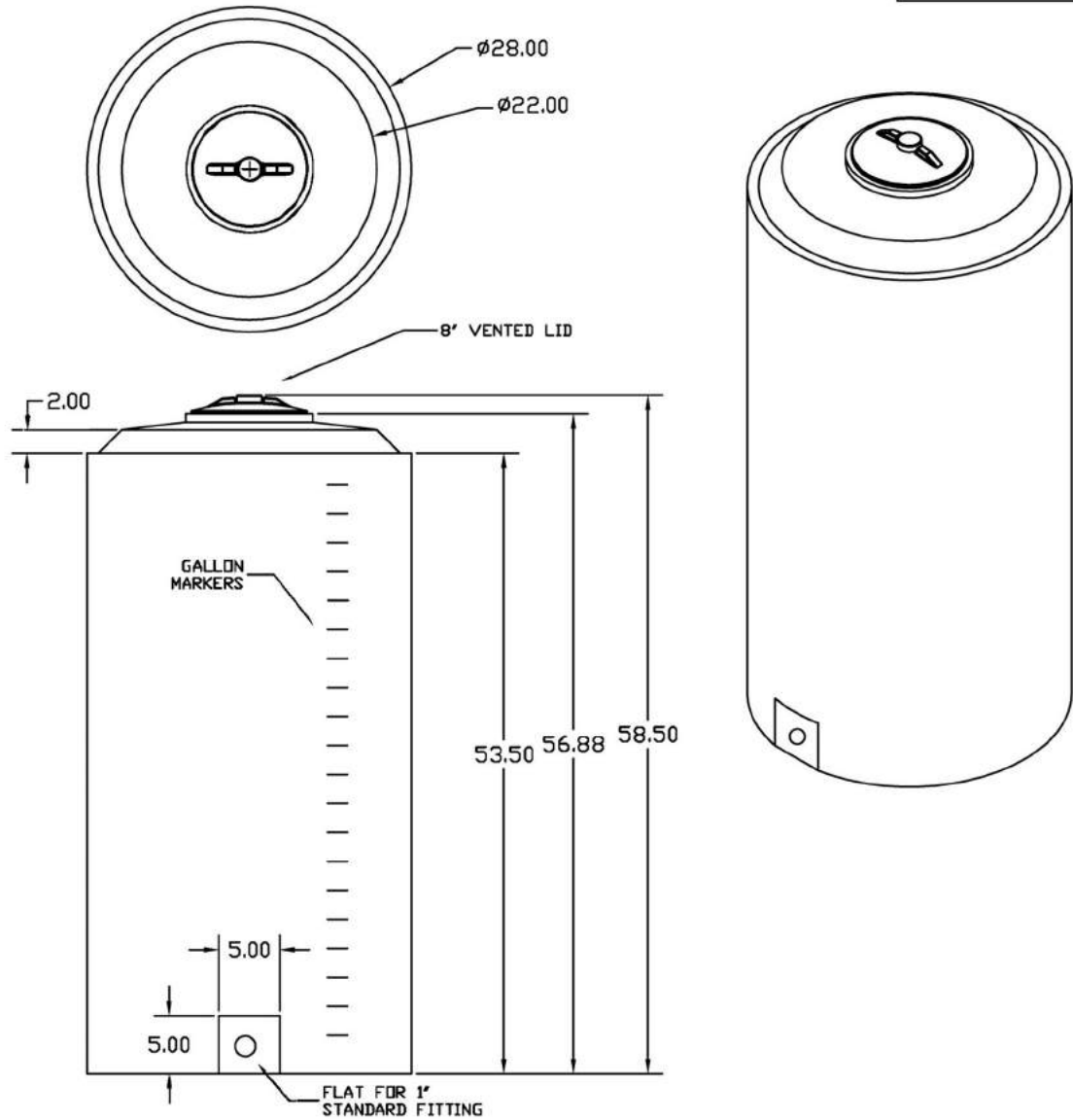


PROPRIETARY DATA

PROPERTY OF ACE ROTO-MOLD MFG., INC. INFORMATION FURNISHED HEREIN IS THE PROPERTY OF ACE ROTO-MOLD MFG., INC. AND SHALL NOT BE USED, DISCLOSED TO OTHERS, OR COPIED WITHOUT THE EXPRESSED WRITTEN CONSENT OF ACE ROTO-MOLD MFG., INC. ALL RIGHTS RESERVED.

A



				DRAWN / DATE		MATERIAL	
				DHJ 1/25/05		HOPE OR EQUIVALENT REFERENCE MATERIAL DATA SHEET FOR SPECIFIC PROPERTIES.	
A	NEW DRAWING FORMAT	11/1/05	NVE	APPRD. / DATE		CLIENT / DESCRIPTION	
REV	DESCRIPTION	DATE	APPRD	ADH 11/19/07			
ALL DIMENSIONS ARE IN DECIMAL INCHES TOLERANCES UNLESS OTHERWISE SPECIFIED ± 1% @ 68° F				THIRD ANGLE PROJECTION ANSI 14.5M		NOTES: 1. WHITE OR YELLOW COLOR 2. SHOT WEIGHT 45 LBS.	
						SCALE N.S.	
						PART NO.	
						135 GALLON VERTICAL TANK	