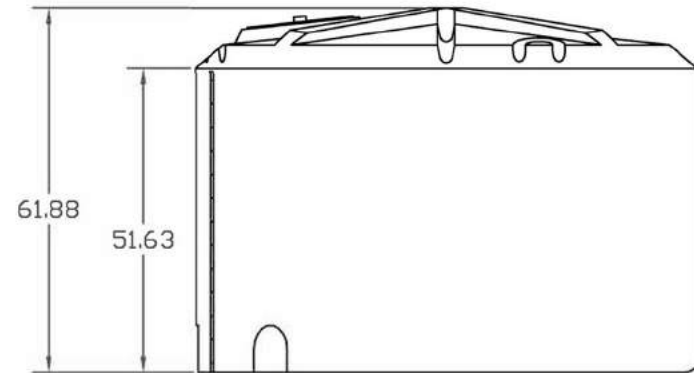
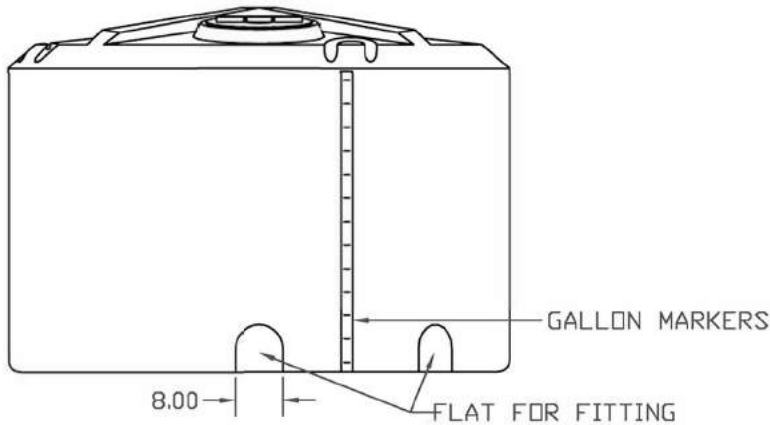
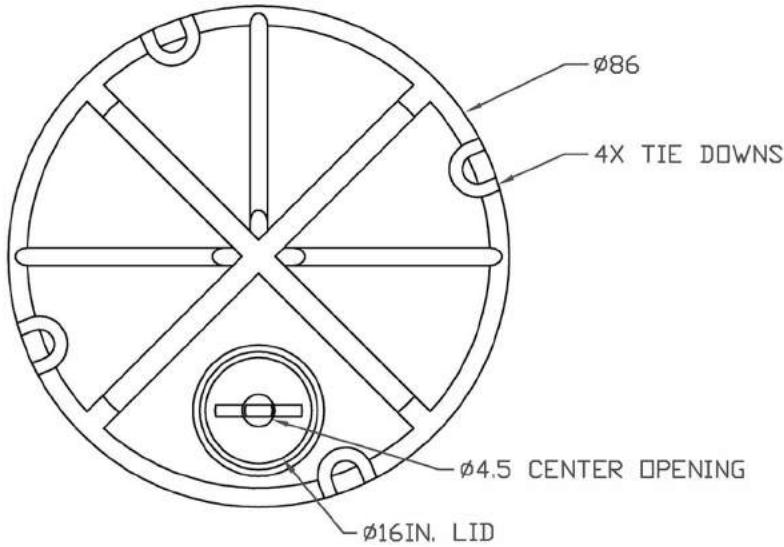


PROPRIETARY DATA

PROPERTY OF ACE ROTO-MOLD MFG., INC. INFORMATION FURNISHED HEREIN IS THE PROPERTY OF ACE ROTO-MOLD MFG., INC. AND SHALL NOT BE USED, DISCLOSED TO OTHERS, OR COPIED WITHOUT THE EXPRESSED WRITTEN CONSENT OF ACE ROTO-MOLD MFG., INC. ALL RIGHTS RESERVED.



		DRAWN / DATE DHJ 1/22/03		MATERIAL	
		APPRD. / DATE ADH 11/9/07		HDPE OR EQUIVALENT REFERENCE MATERIAL DATA SHEET FOR SPECIFIC PROPERTIES.	
A	UPDATE DIAMETER	8/30/06		CLIENT / DESCRIPTION 1035 GALLON GUSSET TANK	
REV	DESCRIPTION	DATE	APPRD	SCALE N.S.	PART NO.
ALL DIMENSIONS ARE IN DECIMAL INCHES TOLERANCES UNLESS OTHERWISE SPECIFIED ± 1% @ 68° F			THIRD ANGLE PROJECTION ANSI 14.5M 		NOTES: 1. 1.5 SPECIFIC GRAVITY 2. SHOT WEIGHT 207 LBS. 3. .245 NOM. WALL