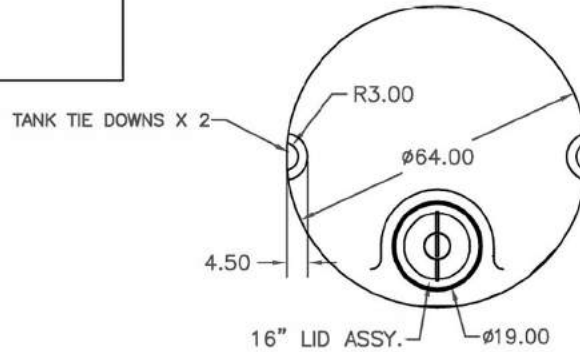
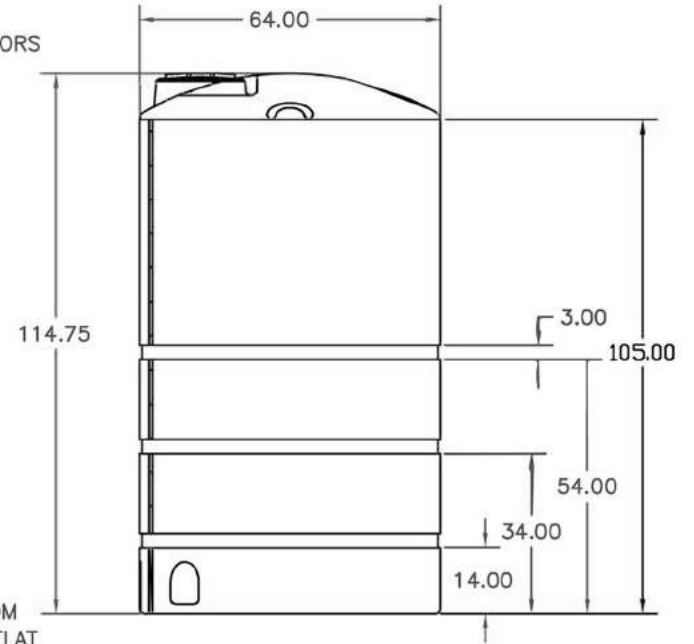
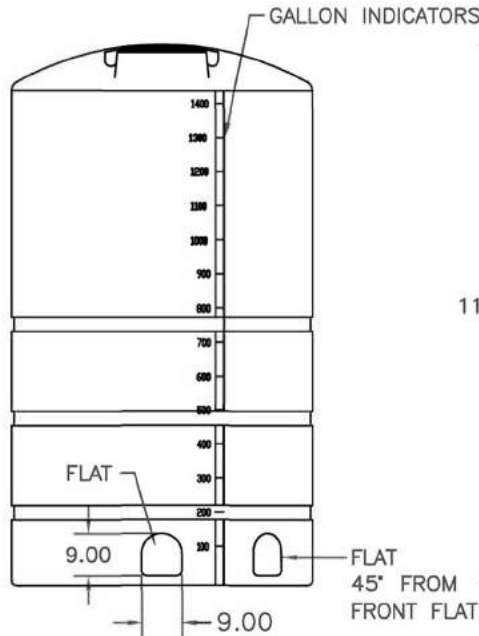


PROPRIETARY DATA

PROPERTY OF ACE ROTO-MOLD MFG., INC. INFORMATION FURNISHED HEREIN IS THE PROPERTY OF ACE ROTO-MOLD MFG., INC. AND SHALL NOT BE USED, DISCLOSED TO OTHERS, OR COPIED WITHOUT THE EXPRESSED WRITTEN CONSENT OF ACE ROTO-MOLD MFG., INC. ALL RIGHTS RESERVED.



1. HEAVY DUTY POLYETHYLENE CONSTRUCTION
2. 1 PIECE ROTATIONALLY MOLDED
3. TRANSLUCENT
4. FDA APPROVED RESIN
5. CALIBRATED IN GALLONS
6. THREE YEAR WARRANTY
7. UV STABILIZED



				DRAWN / DATE DHJ 01/02/03		MATERIAL	
				APPRD. / DATE ADH 11/19/07		HDPE OR EQUIVALENT REFERENCE MATERIAL DATA SHEET FOR SPECIFIC PROPERTIES.	
REV	DESCRIPTION	DATE	APPRD	THIRD ANGLE PROJECTION ANSI 14.5M			
ALL DIMENSIONS ARE IN DECIMAL INCHES TOLERANCES UNLESS OTHERWISE SPECIFIED ± 1% @ 68° F				NOTES: 1. BLUE, YELLOW, WHITE, OR BLACK COLOR 2. SHOT WEIGHT 335 LBS. 3. NOM. WALL .340		CLIENT / DESCRIPTION 1500 GALLON VERTICAL TANK	
				SCALE N.S.		PART NO.	