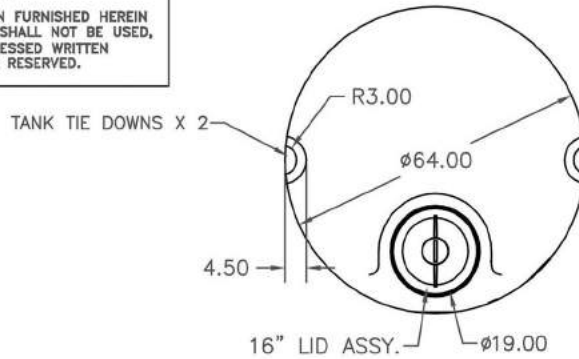
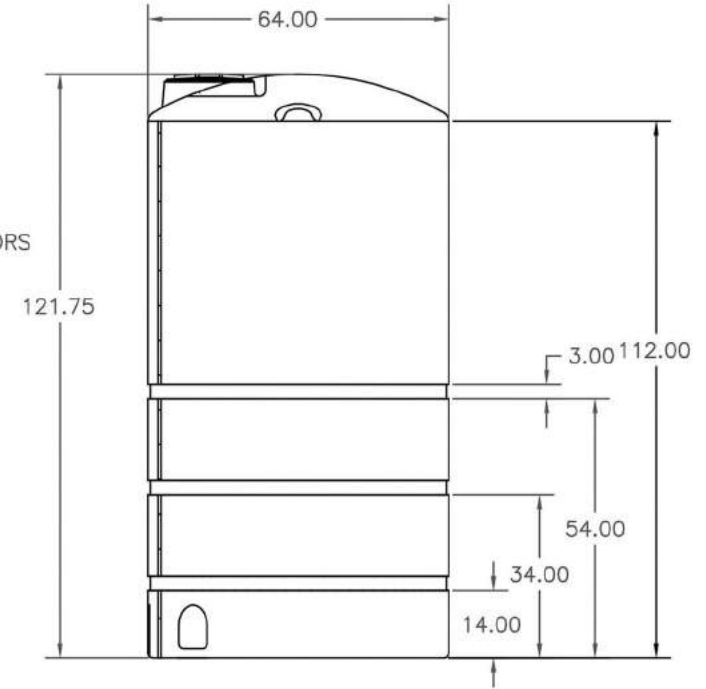
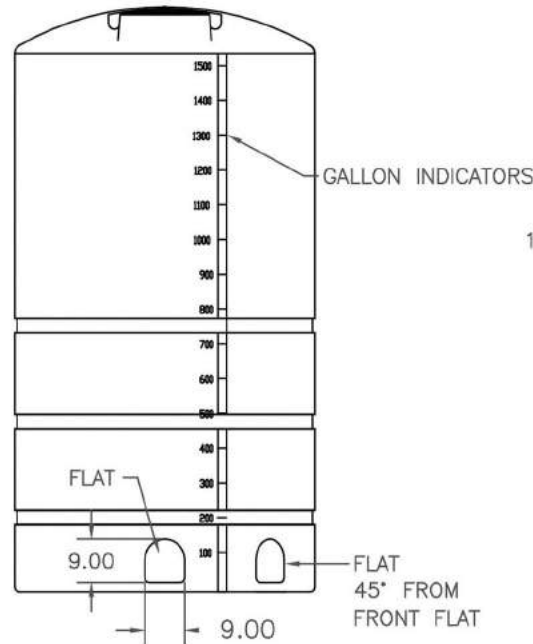


**PROPRIETARY DATA**

PROPERTY OF ACE ROTO-MOLD MFG., INC. INFORMATION FURNISHED HEREIN IS THE PROPERTY OF ACE ROTO-MOLD MFG., INC. AND SHALL NOT BE USED, DISCLOSED TO OTHERS, OR COPIED WITHOUT THE EXPRESSED WRITTEN CONSENT OF ACE ROTO-MOLD MFG., INC. ALL RIGHTS RESERVED.



1. HEAVY DUTY POLYETHYLENE CONSTRUCTION
2. 1 PIECE ROTATIONALLY MOLDED
3. TRANSLUCENT
4. FDA APPROVED RESIN
5. CALIBRATED IN GALLONS
6. THREE YEAR WARRANTY
7. UV STABILIZED



			DRAWN /DATE DHJ/1/2/03	MATERIAL / SHOT WEIGHT	
			APPRD. /DATE ADH/11/20/07	350 LBS.	CLIENT / DESCRIPTION
REV	DESCRIPTION	DATE APPRD.	THIRD ANGLE PROJECTION ANSI 14.5M	NOTES: 1.NOM. WALL .340	ACE 1525 GALLON VERTICAL TANK
ALL DIMENSIONS ARE IN DECIMAL INCHES TOLERANCES UNLESS OTHERWISE SPECIFIED ± 1% @ 68° F				SCALE N.S	PART NO.

**VSA1525**

**(866) 776-8265**

**PROTANK**

**sales@protank.com**