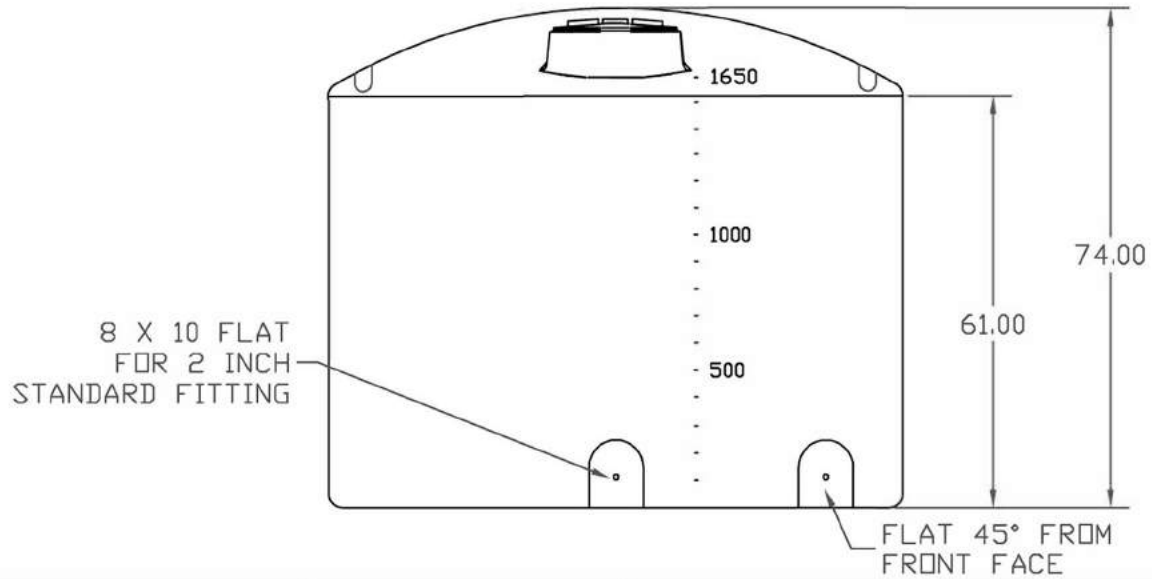
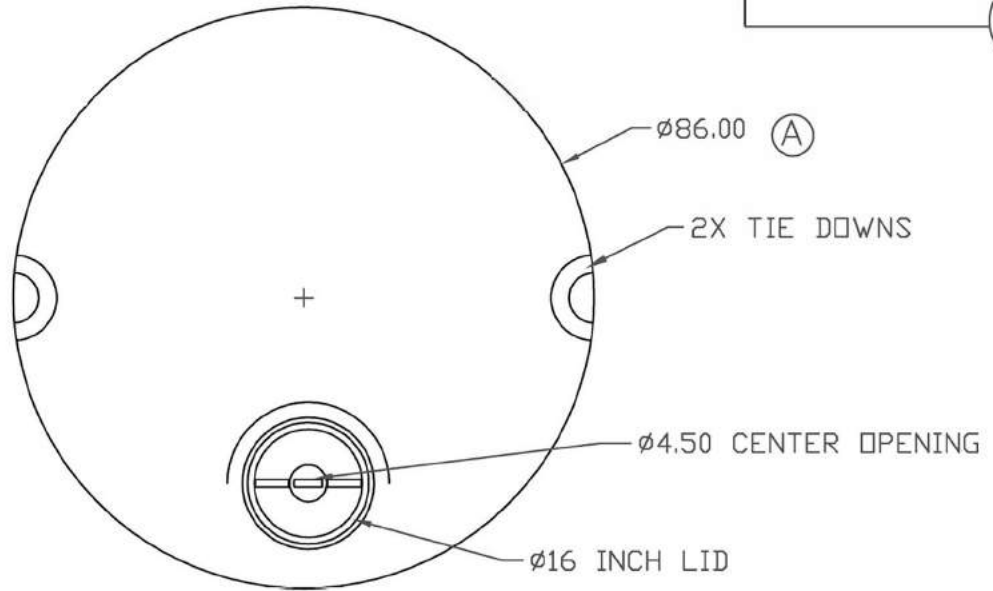


PROPRIETARY DATA

PROPERTY OF DEN HARTOG INDUSTRIES, INC. INFORMATION FURNISHED HEREIN IS THE PROPERTY OF DEN HARTOG INDUSTRIES, INC. AND SHALL NOT BE USED, DISCLOSED TO OTHERS, OR COPIED WITHOUT THE EXPRESSED WRITTEN CONSENT OF DEN HARTOG INDUSTRIES, INC. ALL RIGHTS RESERVED.

B



		DRAWN / DATE		MATERIAL	
B	CORRECT SHOT WEIGHT	9/6/06		DHJ 1/14/05	
A	DIAMETER WAS 85, PN WAS VT1650-85	7/31/06	APPRD	APPRD. / DATE	
REV	DESCRIPTION	DATE	APPRD	ADH 11/20/07	
ALL DIMENSIONS ARE IN DECIMAL INCHES TOLERANCES UNLESS OTHERWISE SPECIFIED $\pm 1\% \text{ @ } 68^\circ \text{ F}$			THIRD ANGLE PROJECTION ANSI 14.5M		NOTES: 1. NOM. WALL $\phi .300$ 2. SHOT WEIGHT 278 LBS.
				SCALE	
				N.S.	PART NO.

VSA1650

(866) 776-8265

PROTANK

sales@protank.com