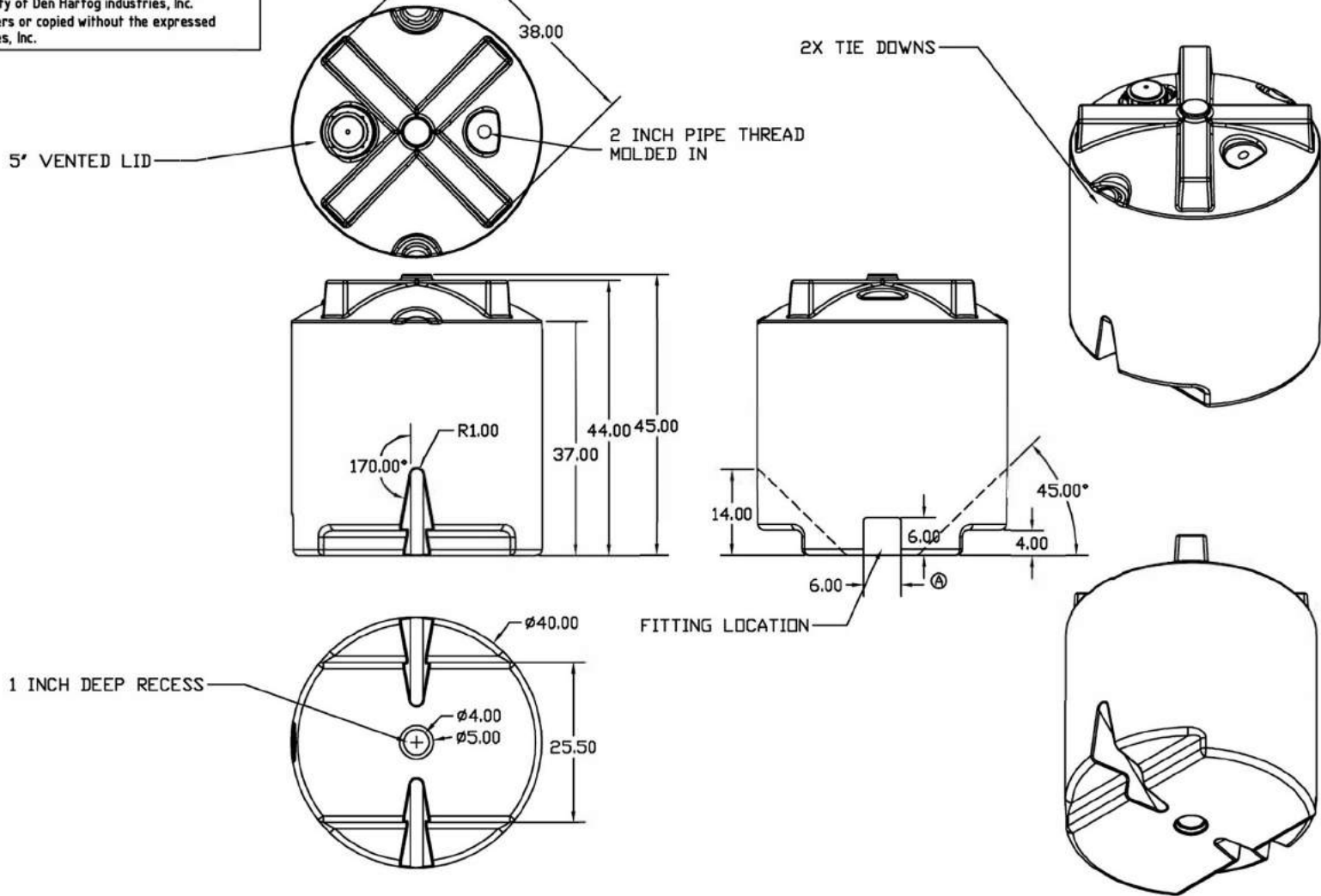


Copyright. All information furnished within this document, electronic file or design correspondence is the property of Den Hartog industries, Inc. and shall not be used, disclosed to others or copied without the expressed written consent of Den Hartog Industries, Inc.



				DRAWN / DATE NVE 10/10/05	MATERIAL HDPE OR EQUIVALENT REFERENCE MATERIAL DATA SHEET FOR SPECIFIC PROPERTIES.		
A	FLAT DIMENSIONS ADDED CCN 1701	8/11/08	ADH	APPRD. / DATE DHJ 10/26/05		CLIENT / DESCRIPTION	
REV	DESCRIPTION	DATE	APPRD			180 GALLON VERTICAL TANK	
ALL DIMENSIONS ARE IN DECIMAL INCHES TOLERANCES UNLESS OTHERWISE SPECIFIED ± 1% @ 68° F				THIRD ANGLE PROJECTION ANSI 14.5M 	NOTES: 1. WHITE OR YELLOW COLOR 2. SHOT WEIGHT 48 LBS. 3. NOM. WALL @ .180	SCALE	PART NO.
						N.S.	