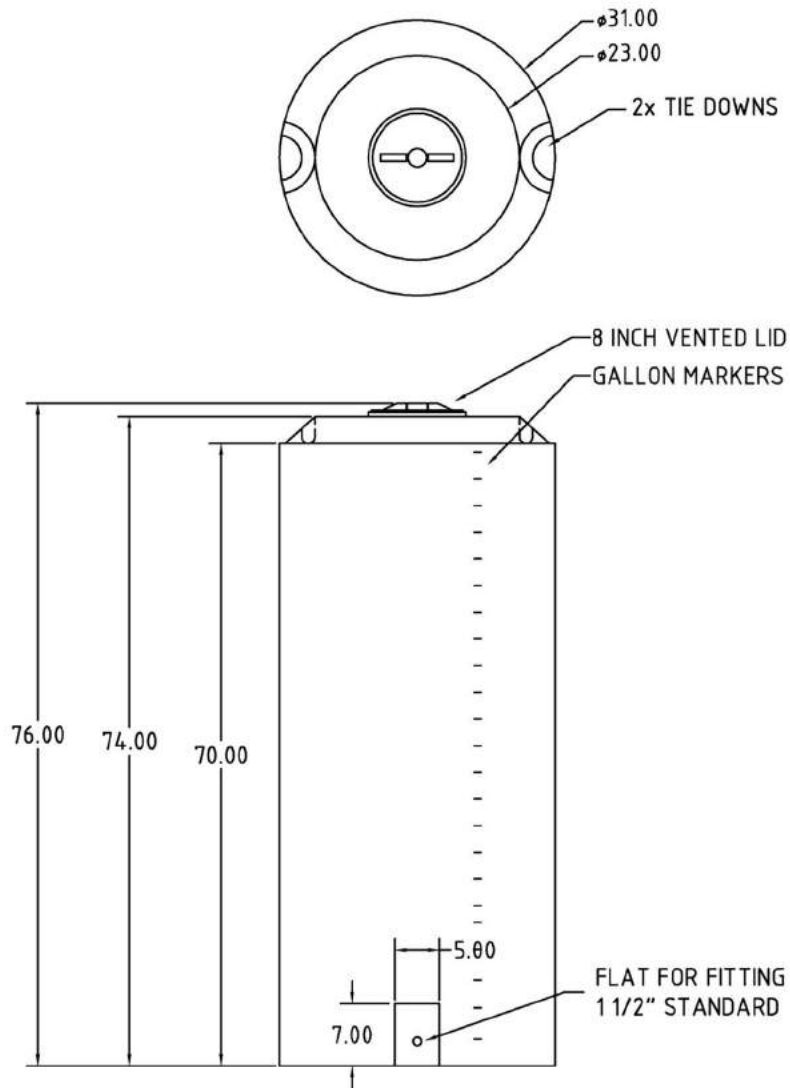


© DEN HARTOG INDUSTRIES, INC.
 Copyright. All information furnished within this document, electronic file or design correspondence is the property of Den Hartog Industries, Inc. and shall not be used, disclosed to others or copied without the expressed written consent of Den Hartog Industries, Inc.



			DRAWN / DATE DHJ 5/1/03	MATERIAL / SHOT WEIGHT HDPE / 65 LBS.	
B	ADDRESS ADDED CCN 1855 ADH 5-5-09		APPRD. / DATE ADH 11/19/07		CLIENT / DESCRIPTION 225 GALLON VERTICAL
A	ADDED DIM. 76.00 8-26-05/NVE				
REV	DESCRIPTION	DATE APPRD.			SCALE NONE
ALL DIMENSIONS ARE IN DECIMAL INCHES TOLERANCES UNLESS OTHERWISE SPECIFIED ± 1% @ 68 F			THIRD ANGLE PROJECTION ANSI 14.5M 	NOTES: 1. NOM. WALL .250 2. BLACK, WHITE, OR YELLOW COLOR	PART NO.