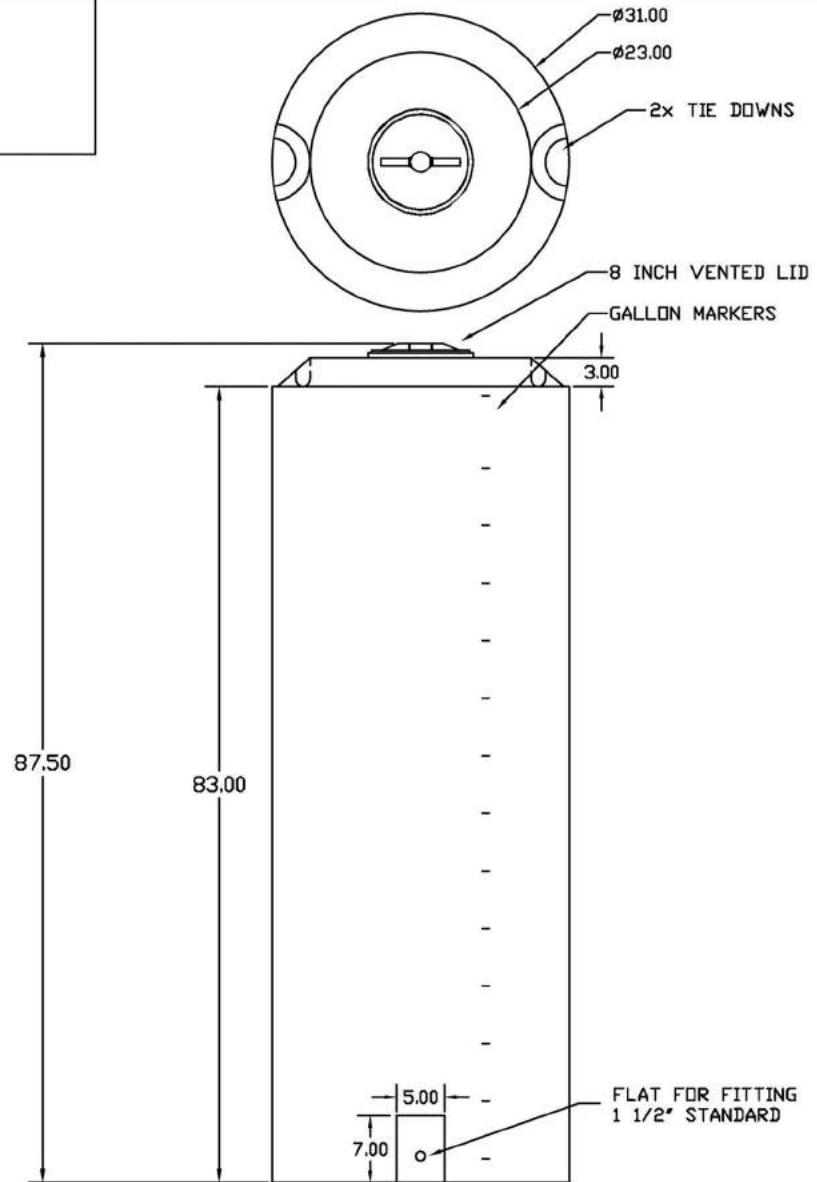


PROPRIETARY DATA

PROPERTY OF ACE ROTO-MOLD MFG., INC. INFORMATION FURNISHED HEREIN IS THE PROPERTY OF ACE ROTO-MOLD MFG., INC. AND SHALL NOT BE USED, DISCLOSED TO OTHERS, OR COPIED WITHOUT THE EXPRESSED WRITTEN CONSENT OF ACE ROTO-MOLD MFG., INC. ALL RIGHTS RESERVED.



		DRAWN / DATE DHJ 5/3/04		MATERIAL / SHOT WEIGHT	
		APPRD. / DATE ADH 11/19/07		POLYETHYLENE 74 LBS.	
REV	DESCRIPTION	DATE	APPRD.	CLIENT / DESCRIPTION	
				265 GALLON VERTICAL TANK	
ALL DIMENSIONS ARE IN DECIMAL INCHES TOLERANCES UNLESS OTHERWISE SPECIFIED ± 1% @ 68° F			THIRD ANGLE PROJECTION ANSI 14.5M 		SCALE NONE
			NOTES: 1. NOM. WALL .250 2. YELLOW, BLUE, BLACK OR WHITE COLOR 3. OPTIONAL 16 INCH LID		PART NO.