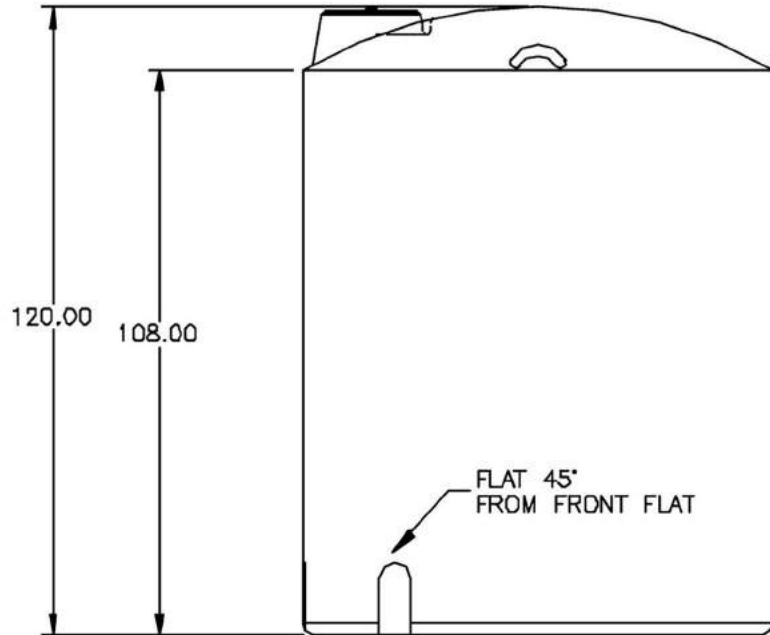


**PROPRIETARY DATA**

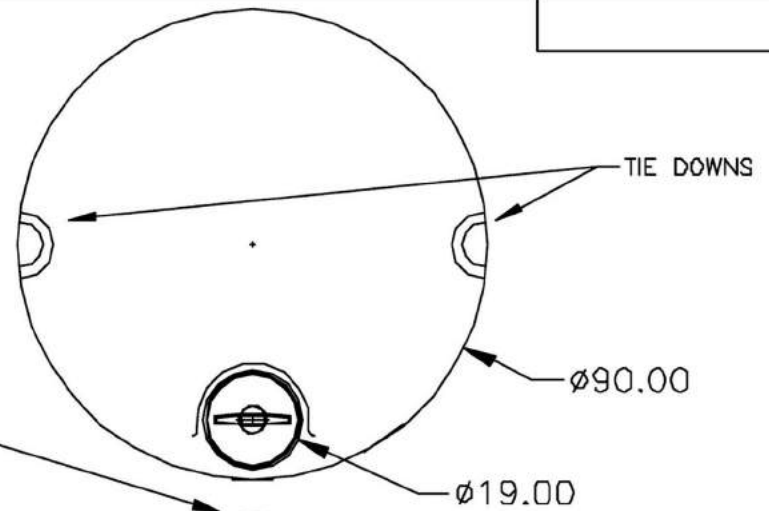
PROPERTY OF ACE ROTO-MOLD MFG., INC. INFORMATION FURNISHED HEREIN IS THE PROPERTY OF ACE ROTO-MOLD MFG., INC. AND SHALL NOT BE USED, DISCLOSED TO OTHERS, OR COPIED WITHOUT THE EXPRESSED WRITTEN CONSENT OF ACE ROTO-MOLD MFG., INC. ALL RIGHTS RESERVED.

**FEATURES**

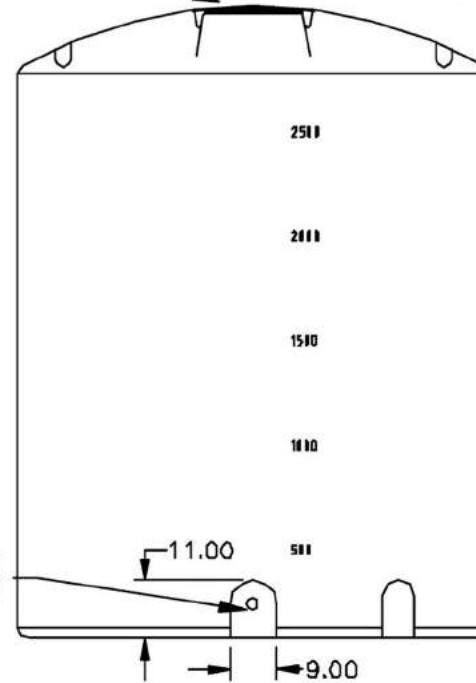
1. HEAVY DUTY POLYETHYLENE CONSTRUCTION
2. 1 PIECE ROTATIONALLY MOLDED
3. TRANSLUCENT
4. FDA APPROVED RESIN
5. CALIBRATED IN GALLONS
6. THREE YEAR WARRANTY
7. UV STABILIZED
8. SPECIFIC GRAVITY RATING IS 1.71



Ø16 INCH LID



FLAT FOR FITTING 2 INCH STANDARD



				DRAWN / DATE NVE 6/11/15	MATERIAL HDPE OR EQUIVALENT REFERENCE MATERIAL DATA SHEET FOR SPECIFIC PROPERTIES.		
				APPRD. / DATE DHJ 6/21/05	CLIENT / DESCRIPTION 3000 GALLON VERTICAL TANK		
REV	DESCRIPTION	DATE	APPRD.	THIRD ANGLE PROJECTION ANSI 11.51	NOTES: 1. .491 THICK AT FITTING 2. BLUE, GREEN, YELLOW, BLACK, OR WHITE COLOR 3. SHOT WEIGHT 551 LBS.	SCALE N.S.	PART NO.
ALL DIMENSIONS ARE IN DECIMAL INCHES TOLERANCES UNLESS OTHERWISE SPECIFIED ± 1% @ 68°F							

VSA3000

(866) 776-8265

**PROTANK**

sales@protank.com