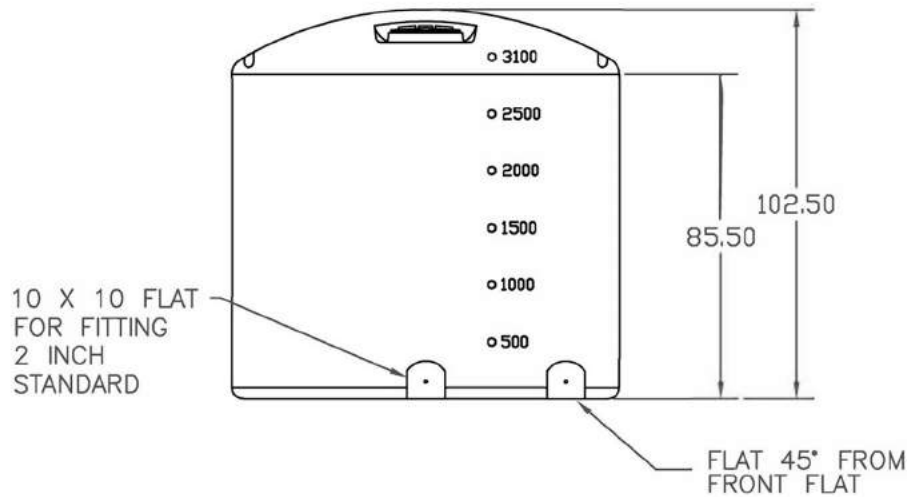
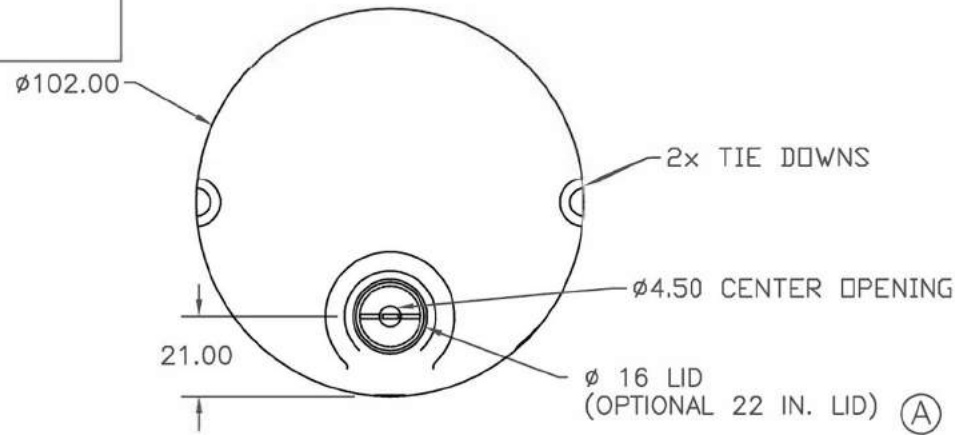


PROPRIETARY DATA

PROPERTY OF ACE ROTO-MOLD MFG., INC. INFORMATION FURNISHED HEREIN IS THE PROPERTY OF ACE ROTO-MOLD MFG., INC. AND SHALL NOT BE USED, DISCLOSED TO OTHERS, OR COPIED WITHOUT THE EXPRESSED WRITTEN CONSENT OF ACE ROTO-MOLD MFG., INC. ALL RIGHTS RESERVED.

A



			DRAWN /DATE DHJ/1/16/03	MATERIAL / SHOT WEIGHT	
A	CLEARIFY LID SIZE	6/26/07 DHJ	APPRD. /DATE	550 LBS.	CLIENT / DESCRIPTION
REV	DESCRIPTION	DATE APPRD.	ADH/11/20/07		
ALL DIMENSIONS ARE IN DECIMAL INCHES TOLERANCES UNLESS OTHERWISE SPECIFIED $\pm 1\% \text{ @ } 68^\circ \text{ F}$			THIRD ANGLE PROJECTION ANSI 14.5M 	NOTES:	SCALE NONE
					PART NO.