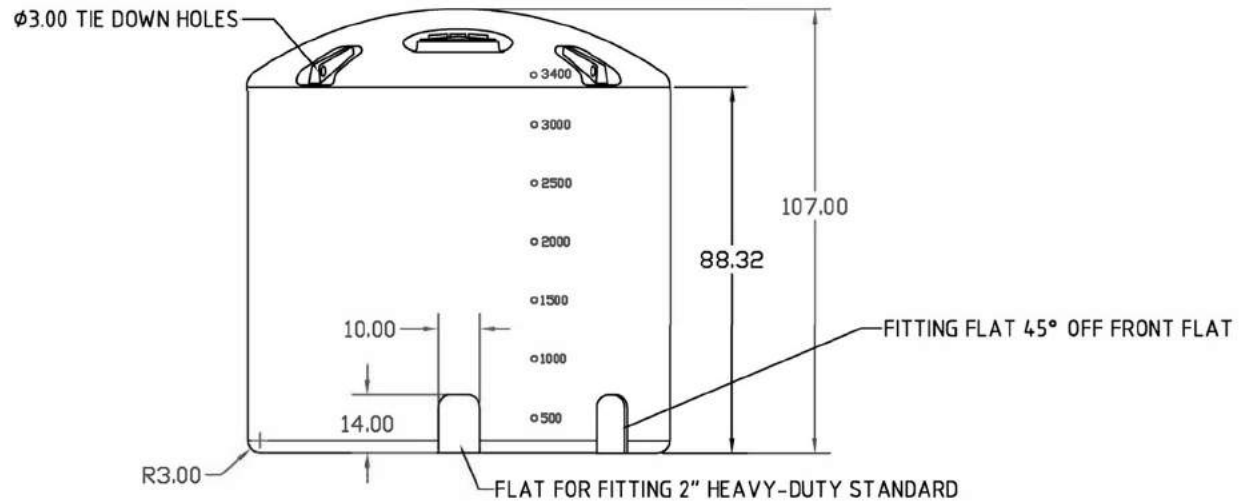
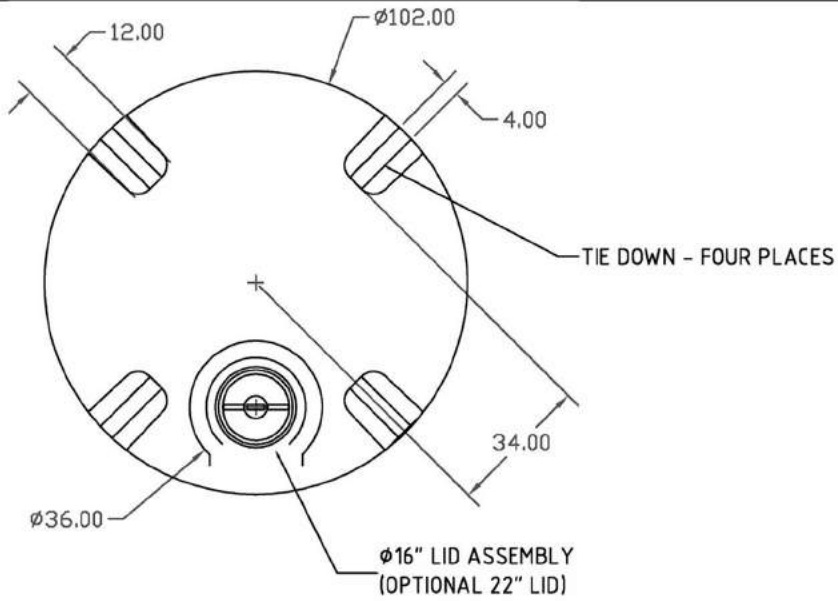


PROPRIETARY DATA

PROPERTY OF ACE ROTO-MOLD MFG., INC. INFORMATION FURNISHED HEREIN IS THE PROPERTY OF ACE ROTO-MOLD MFG., INC. AND SHALL NOT BE USED, DISCLOSED TO OTHERS, OR COPIED WITHOUT THE EXPRESSED WRITTEN CONSENT OF ACE ROTO-MOLD MFG., INC. ALL RIGHTS RESERVED.



				DRAWN / DATE DHJ 05/09/03		MATERIAL			
				APPRD. / DATE ADH 11/20/07		HDPE OR EQUIVALENT REFERENCE MATERIAL DATA SHEET FOR SPECIFIC PROPERTIES.		CLIENT / DESCRIPTION 3400 GALLON VERTICAL TANK	
ALL DIMENSIONS ARE IN DECIMAL INCHES TOLERANCES UNLESS OTHERWISE SPECIFIED ± 1% @ 68° F				THIRD ANGLE PROJECTION ANSI 14.5M 		NOTES: 1. BLACK, WHITE, OR YELLOW COLOR 2. SHOT WEIGHT 585 LBS. 3. .50 THICK AT FLAT		SCALE N.S.	
								PART NO.	

VSA3400

(866) 776-8265

PROTANK

sales@protank.com