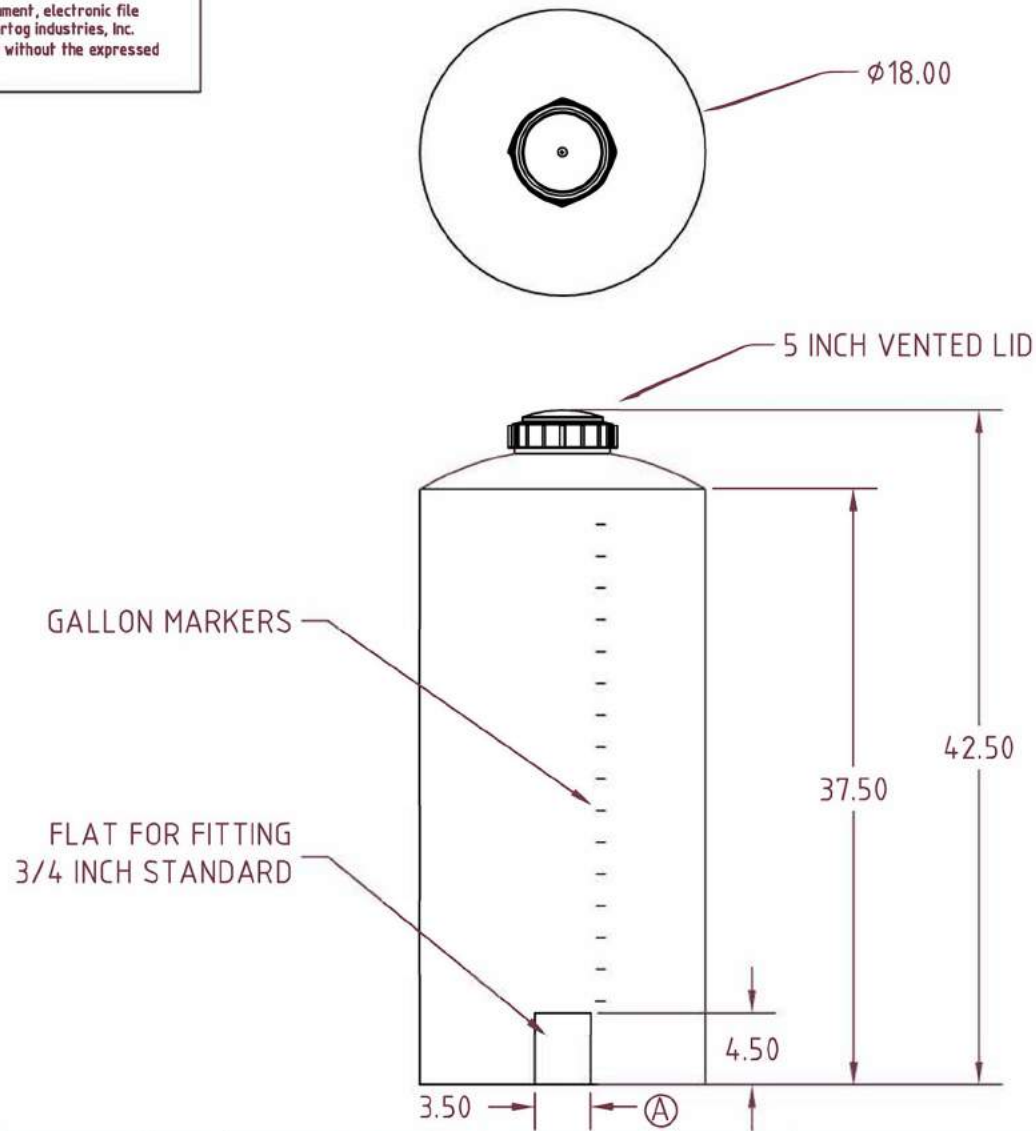


Copyright. All information furnished within this document, electronic file or design correspondence is the property of Den Hartog Industries, Inc. and shall not be used, disclosed to others or copied without the expressed written consent of Den Hartog Industries, Inc.



|   |                                |             |                                      |  |                         |          |
|---|--------------------------------|-------------|--------------------------------------|--|-------------------------|----------|
|   |                                |             | DRAWN / DATE                         | MATERIAL / SHOT WEIGHT   |                         |          |
|   |                                | DHJ         | 9/19/03                              |  |                         |          |
| A   | FLAT DIMENSIONS ADDED CEN 1701 | ADH 7/30/08 | APPRD. / DATE                        | HDPE / 17 LBS.   | CLIENT / DESCRIPTION    |          |
| REV   | DESCRIPTION                    | DATE APPRD. | ADH 11/19/07                         |  | 40 GALLON VERTICAL TANK |          |
| ALL DIMENSIONS ARE IN DECIMAL INCHES<br>TOLERANCES UNLESS OTHERWISE SPECIFIED<br>± 1% @ 68° F |                                |             | THIRD ANGLE PROJECTION<br>ANSI 14.5M | NOTES:   | SCALE                   | PART NO. |
|   |                                |             |                                      | 1. NOM. WALL .180<br>2. BLACK, GREEN, WHITE<br>OR YELLOW COLOR | NONE                    |          |