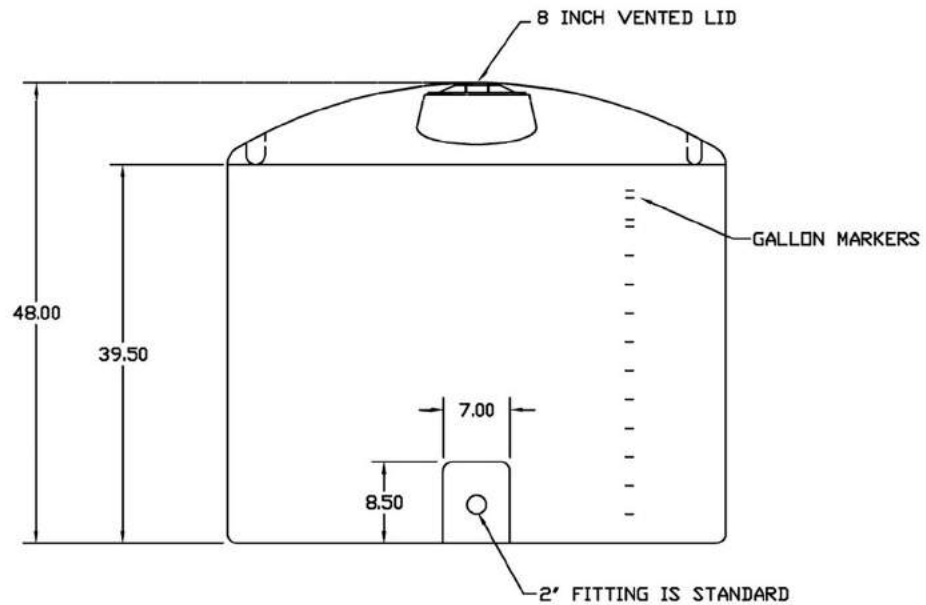
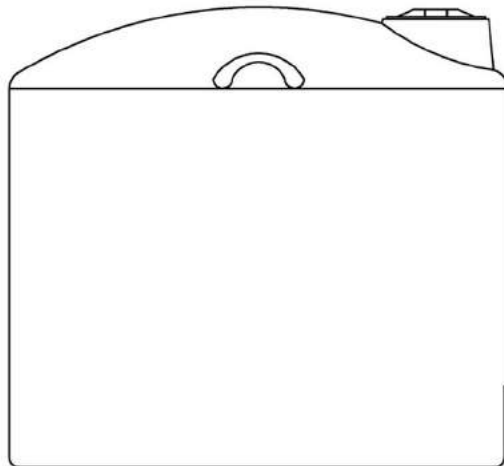
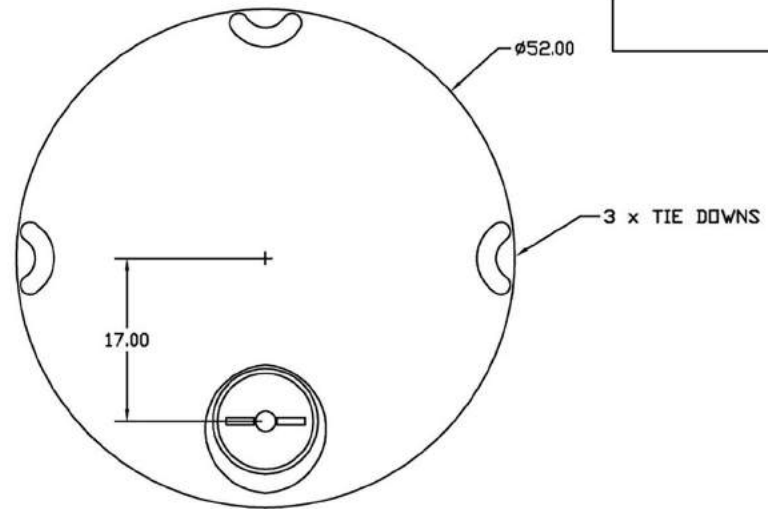


PROPRIETARY DATA

PROPERTY OF ACE ROTO-MOLD MFG., INC. INFORMATION FURNISHED HEREIN IS THE PROPERTY OF ACE ROTO-MOLD MFG., INC. AND SHALL NOT BE USED, DISCLOSED TO OTHERS, OR COPIED WITHOUT THE EXPRESSED WRITTEN CONSENT OF ACE ROTO-MOLD MFG., INC. ALL RIGHTS RESERVED.



			DRAWN / DATE REH 1/17/07	MATERIAL / SHOT WEIGHT POLYETHYLENE 90 LBS.	CLIENT / DESCRIPTION 405 GALLON VERTICAL TANK	
			APPRD. / DATE ADH 11/19/07	NOTES: .235 NOM. WALL	SCALE NONE	PART NO.
REV	DESCRIPTION	DATE APPRD.				
ALL DIMENSIONS ARE IN DECIMAL INCHES TOLERANCES UNLESS OTHERWISE SPECIFIED $\pm 1\% \text{ @ } 68^\circ \text{ F}$			THIRD ANGLE PROJECTION ANSI 14.5M 			