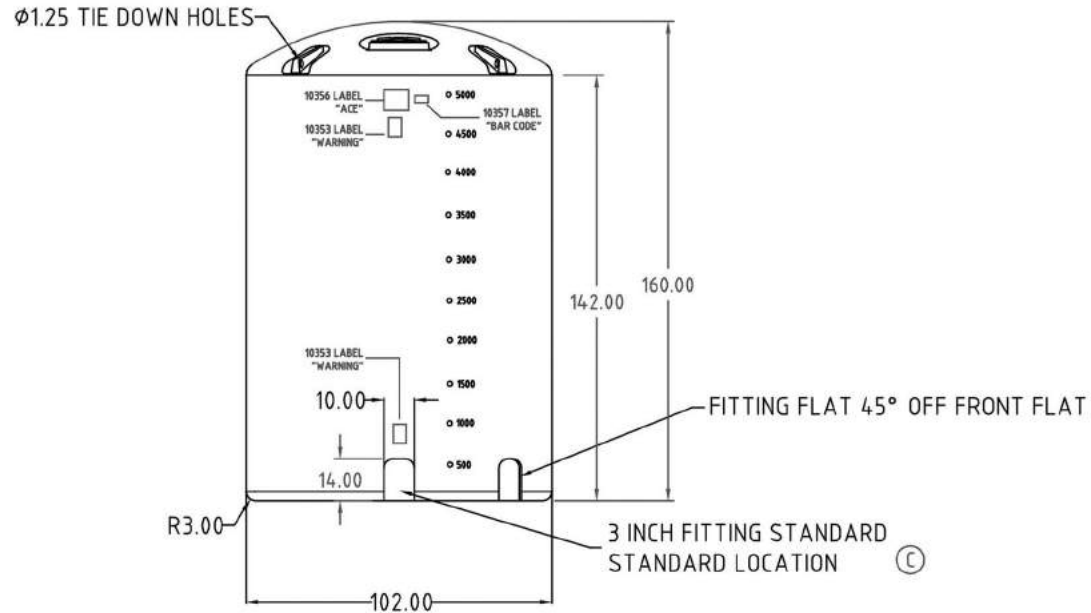
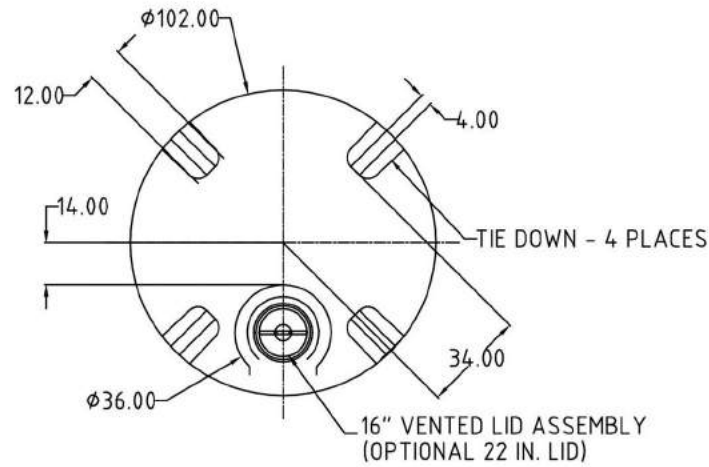


Copyright. All information furnished within this document, electronic file or design correspondence is the property of Den Hartog Industries, Inc. and shall not be used, disclosed to others or copied without the expressed written consent of Den Hartog Industries, Inc.



C	CHANGED STANDARD FITTING FROM 2" TO 3"	3/30/10 DHJ	2013	DRAWN / DATE	MATERIAL	DESCRIPTION 5150 GALLON VERTICAL TANK
B	ADDED FITTINGS	9/30/03		EVAN 3/28/95	HDPE OR EQUIVALENT	
A	WAS 24"	9/30/03		APPRD. / DATE		
REV	DESCRIPTION	BY / DATE	CCN	NVE 8/31/05		
ALL DIMENSIONS ARE IN DECIMAL INCHES TOLERANCES UNLESS OTHERWISE SPECIFIED		THIRD ANGLE PROJECTION ANSI 14.5H		SHOT WEIGHT: 1350	NOTES: 1. WHITE, BLACK, OR YELLOW COLOR 2. 0.74 WALL @ FLAT	SCALE N.S.
POLYETHYLENE	METAL DECIMAL ± .125" FRACTION ± 1/4" ANGLE ± 1°			SHIPPING WEIGHT: 1352		PART NO.
±1% @ 68° F				FINISH:		