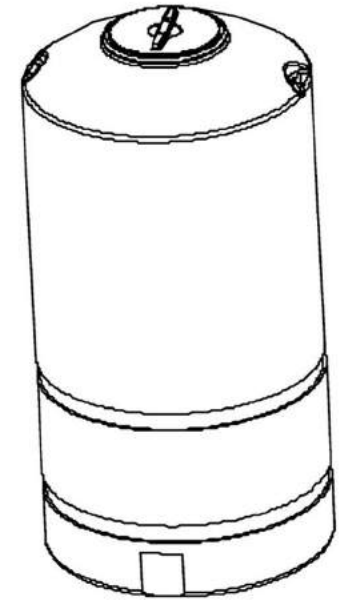
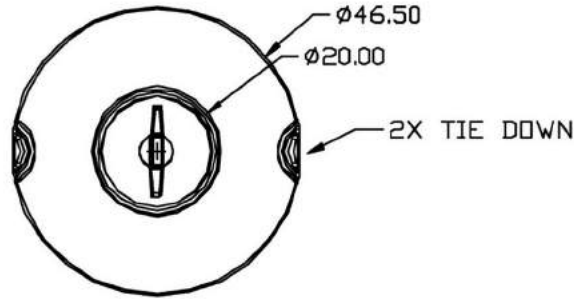
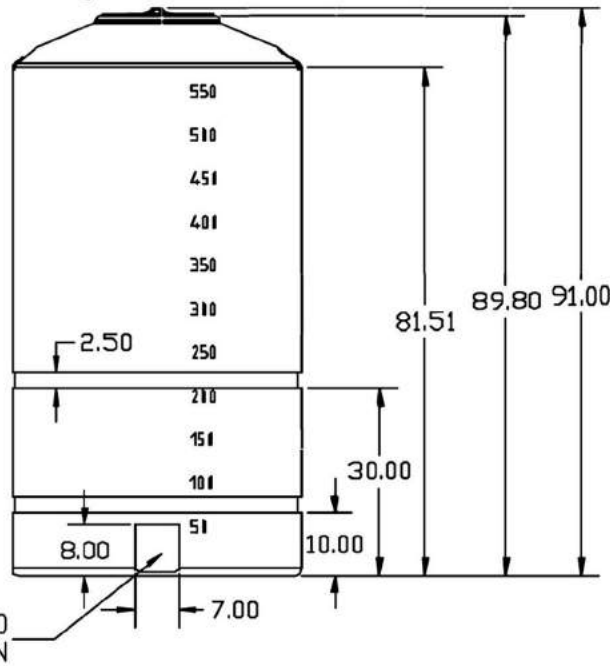


PROPRIETARY DATA

PROPERTY OF ACE ROTOL-HOLD MFG., INC. INFORMATION FURNISHED HEREIN IS THE PROPERTY OF ACE ROTOL-HOLD MFG., INC. AND SHALL NOT BE USED, DISCLOSED TO OTHERS, OR COPIED WITHOUT THE EXPRESSED WRITTEN CONSENT OF ACE ROTOL-HOLD MFG., INC. ALL RIGHTS RESERVED.



16" VENTED LID ASSEMBLY



2" STANDARD FITTING LOCATION

				DRAWN / DATE NVE 11/1/05	MATERIAL HDPE OR EQUIVALENT REFERENCE MATERIAL DATA SHEET FOR SPECIFIC PROPERTIES.				
				APPRD. / DATE DHJ 11/1/15			CLIENT / DESCRIPTION 600 GALLON VERTICAL TANK		
REV	DESCRIPTION	DATE	APPRD	THIRD ANGLE PROJECTION ANSI 16.51 		NOTES: 1. BLUE, GREEN, YELLOW, BLACK, AND WHITE COLOR 2. SHOT WEIGHT 131 LBS. 3. NOM. WALL @ .231		SCALE N.S.	PART NO.
ALL DIMENSIONS ARE IN DECIMAL INCHES TOLERANCES UNLESS OTHERWISE SPECIFIED ± 1% @ 68° F									