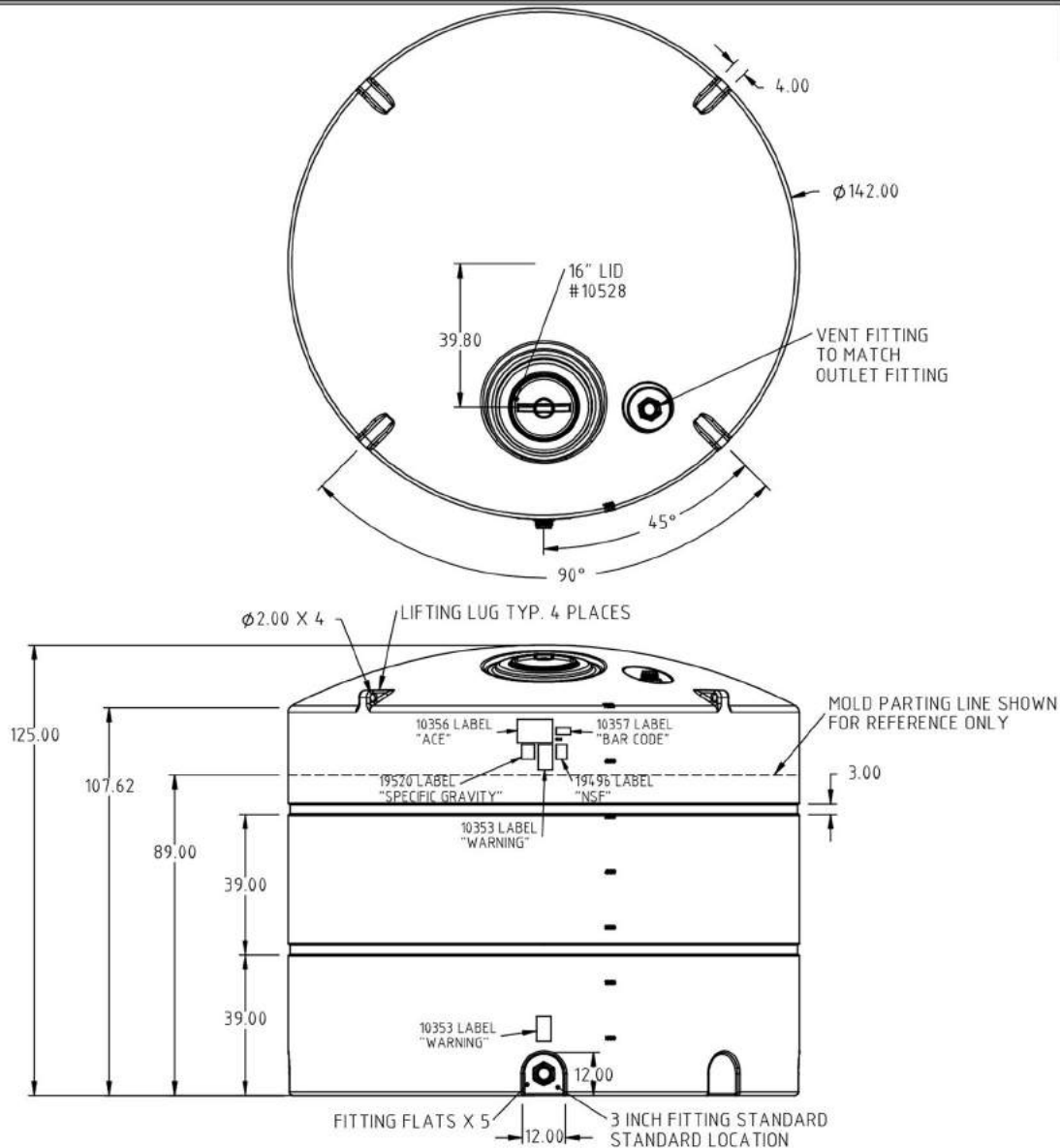


Copyright All information furnished within this document, electronic file or design correspondence is the property of Den Hartog Industries, Inc. and shall not be used, disclosed to others or copied without the expressed written consent of Den Hartog Industries, Inc.



				DRAWN / DATE ADH 7/10/13	MATERIAL 10538 2 MELT	
				APPRD. / DATE REH 8/7/13		
REV	DESCRIPTION	BY / DATE	CCN			
	ALL DIMENSIONS ARE IN DECIMAL INCHES TOLERANCES UNLESS OTHERWISE SPECIFIED			SHOT WEIGHT: 1750.00 LBS	NOTES: 1.) WHITE, BLACK, OR YELLOW COLOR 2.) 0.77 WALL @ FLAT	DESCRIPTION 7000 GALLON VERTICAL TANK WITH DOME TOP
	POLYETHYLENE			SHIPPING WEIGHT: 1752.00 LBS		SCALE N.S.
	±1% @ 68°F			FINISH:		PART NO.
	METAL DECIMAL ± .125" FRACTION ± 1/4" ANGLE ± 1°					