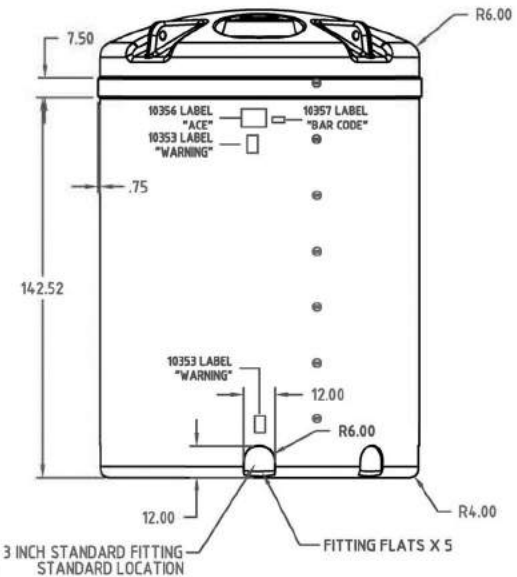
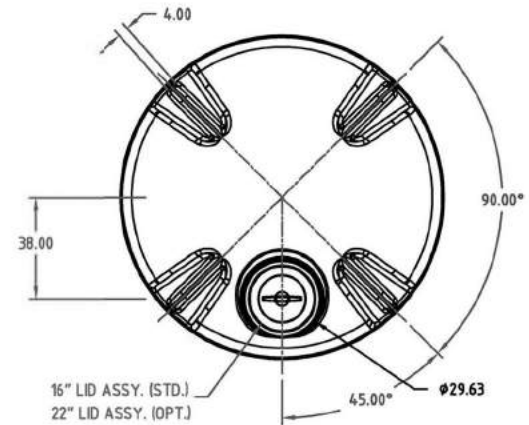
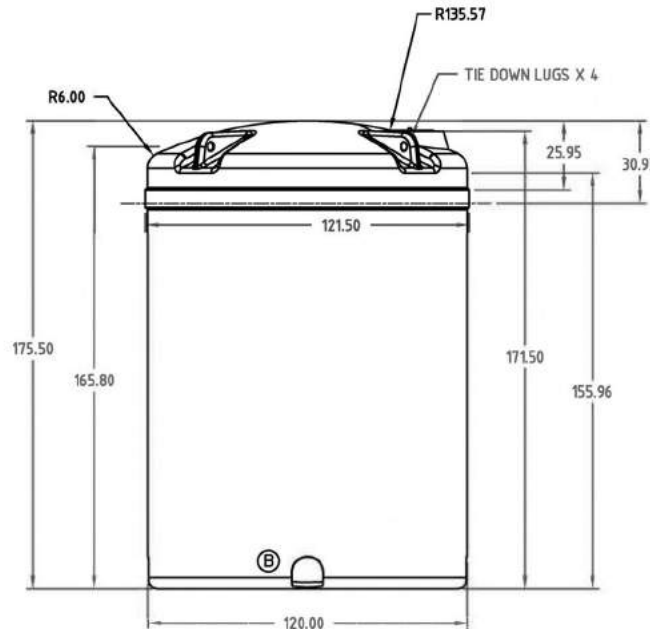
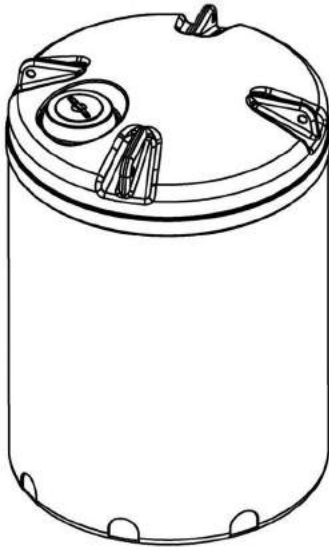


Copyright. All information furnished within this document, electronic file or design correspondence is the property of Den Hartog Industries, Inc. and shall not be used, disclosed to others or copied without the expressed written consent of Den Hartog Industries, Inc.



C	CHANGED STANDARD FITTING FROM 2" TO 3"	DHJ 3/31/10	2013	DRAWN / DATE	MATERIAL	DESCRIPTION 7800 GALLON VERTICAL TANK
B	CORRECT VIEW PERSPECTIVE. DRAWING TEMPLATE UPDATED, ADD THICKNESS	DHJ 6/25/09	1895	REH/11/3/00	2 MELT	
A	NEW FORMAT	DHJ 2/11/09		APPRD. / DATE		
REV	DESCRIPTION	BY / DATE	CCN	DHJ/11/3/00		
ALL DIMENSIONS ARE IN DECIMAL INCHES TOLERANCES UNLESS OTHERWISE SPECIFIED		THIRD ANGLE PROJECTION ANSI 14.5M		SHOT WEIGHT: 1900 LBS.	NOTES: ⓑ 1. .96 WALL @ FLAT	SCALE N.S.
POLYETHYLENE	METAL DECIMAL ± .125" FRACTION ± 1/4" ANGLE ± 1°			SHIPPING WEIGHT: 1902 LBS.		FINISH:
±1% @ 68° F						