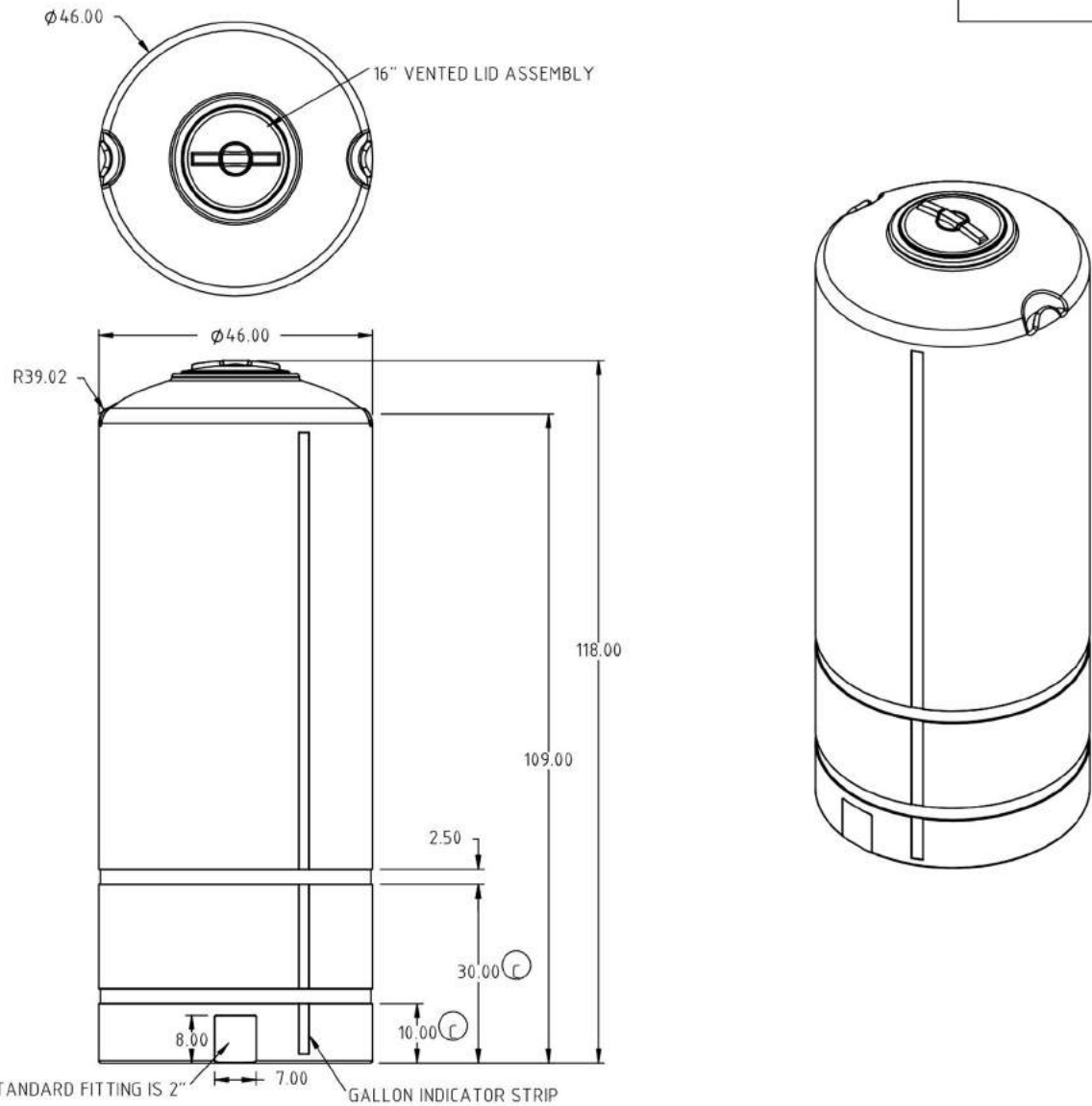


© DEN HARTOG INDUSTRIES, INC.

Copyright All information furnished within this document, electronic file or design correspondence is the property of Den Hartog industries, Inc. and shall not be used, disclosed to others or copied without the expressed written consent of Den Hartog Industries, Inc.

C



STANDARD FITTING IS 2" GALLON INDICATOR STRIP

C	RIBS SHOWN ON PRINT. DRAWING TEMPLATE UPDATED	ADH 1/2/15	2996	DRAWN / DATE REH 4/24/01	MATERIAL 10420	DESCRIPTION ACE 800 GALLON VERTICAL TANK	
B	UPDATED TOLERANCE	REH 3/12/09	1823	APPRD. / DATE REH 4/24/01			
A	UPDATED SHOT WEIGHT	9/12/06					
REV	DESCRIPTION	BY / DATE	CCN			SCALE N.S.	PART NO.
ALL DIMENSIONS ARE IN DECIMAL INCHES TOLERANCES UNLESS OTHERWISE SPECIFIED		THIRD ANGLE PROJECTION ANSI 14.5M		SHOT WEIGHT: 175.00 LBS	NOTES: 1.) 0.260 NOMINAL WALL		
POLYETHYLENE	METAL DECIMAL ± .125" FRACTION ± 1/4" ANGLE ± 1°			SHIPPING WEIGHT: 177.00 LBS			
±1% @ 68°F				FINISH:			

VSA800

(866) 776-8265

PROTANK

sales@protank.com