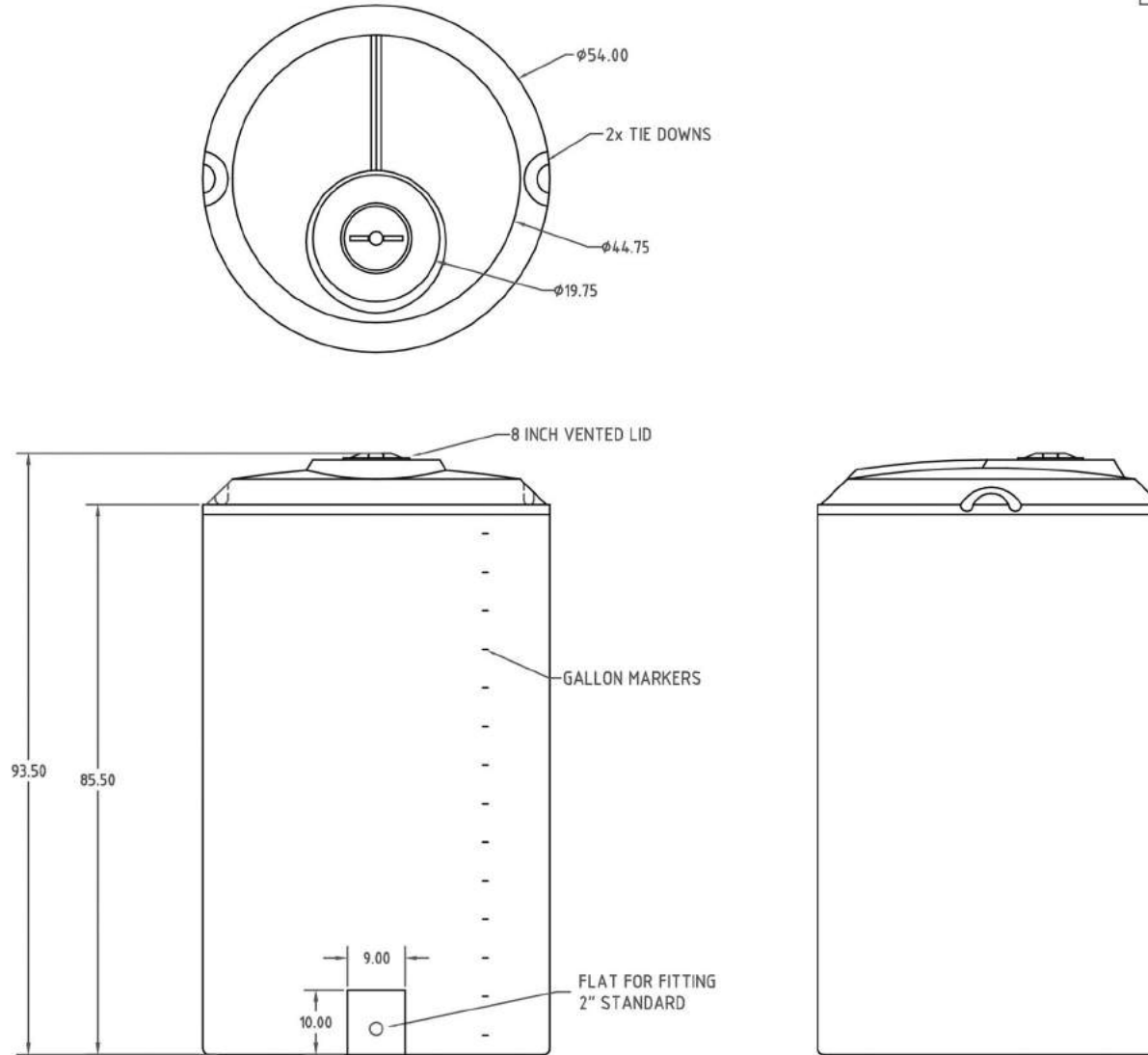


© DEN HARTOG INDUSTRIES, INC.

Copyright. All information furnished within this document, electronic file or design correspondence is the property of Den Hartog Industries, Inc. and shall not be used, disclosed to others or copied without the expressed written consent of Den Hartog Industries, Inc.

B



			DRAWN /DATE DHJ 5/2/03	MATERIAL / SHOT WEIGHT	
B	ADDRESS ADDED CCN 1856 ADH 5/5/09		APPRD. /DATE	POLYETHYLENE 182 LBS.	
A	CHANGED TOP 9/8/05		ADH 11/19/07		CLIENT / DESCRIPTION
REV	DESCRIPTION	DATE APPRD.			850 GALLON VERTICAL
ALL DIMENSIONS ARE IN DECIMAL INCHES TOLERANCES UNLESS OTHERWISE SPECIFIED ± 1% @ 68° F			THIRD ANGLE PROJECTION ANSI 14.5M 	NOTES: 1. .28 NOM. WALL 2. OPTIONAL 16" LID	SCALE NONE
					PART NO.

VSA850

(866) 776-8265

PROTANK

sales@protank.com