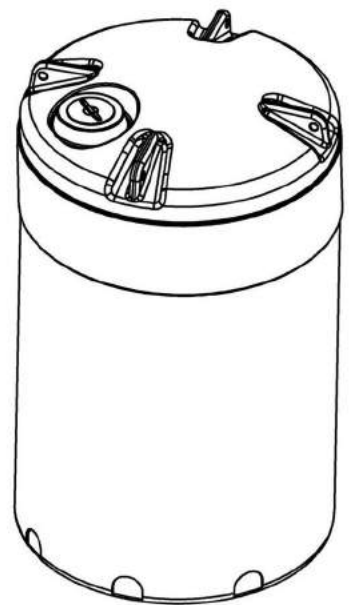
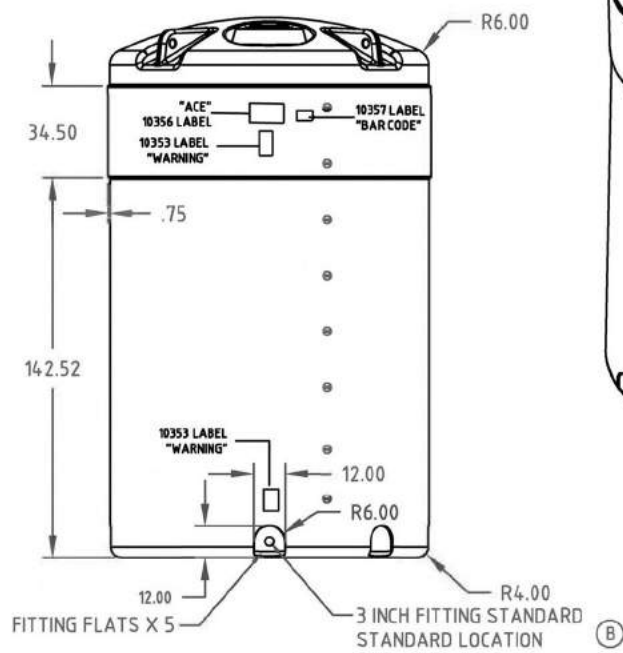
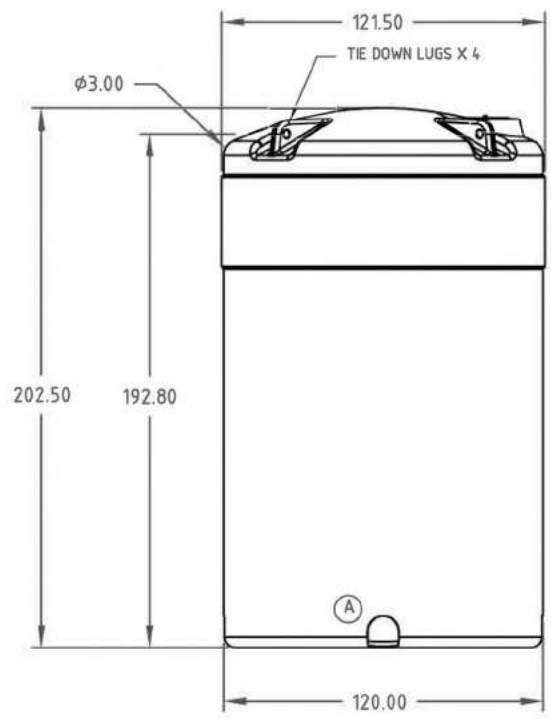
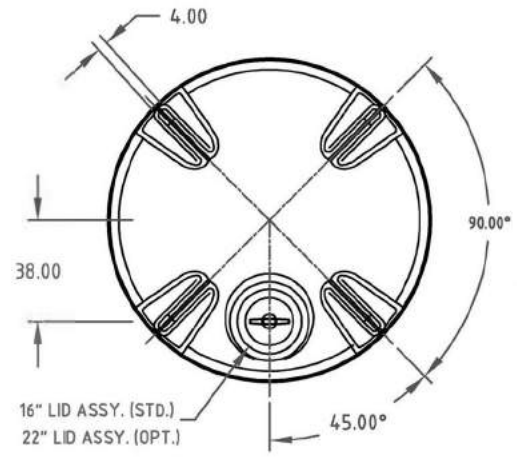


Copyright. All information furnished within this document, electronic file or design correspondence is the property of Den Hartog Industries, Inc. and shall not be used, disclosed to others or copied without the expressed written consent of Den Hartog Industries, Inc.



				DRAWN / DATE	MATERIAL	
B	ADD 3" STANDARD FITTING AND STANDARD LOCATION	DHJ 4/1/10	2013	DHJ/1/25/02	1) 10538 2 MELT	
A	CORRECT VIEW PERSPECTIVE. DRAWING TEMPLATE UPDATED	DHJ 6/25/09	1895	REH/1/25/02		
REV	DESCRIPTION	BY / DATE	CCN			
ALL DIMENSIONS ARE IN DECIMAL INCHES TOLERANCES UNLESS OTHERWISE SPECIFIED		THIRD ANGLE PROJECTION ANSI 14.5M		SHOT WEIGHT: 2200 LBS	NOTES:	DESCRIPTION 9150 GALLON VERTICAL TANK
POLYETHYLENE		METAL DECIMAL ± .125" FRACTION ± 1/4" ANGLE ± 1°		SHIPPING WEIGHT: 2202 LBS	1. 1.14 WALL@ FLAT	
±1% @ 68° F				FINISH:		SCALE N.S.
						PART NO.