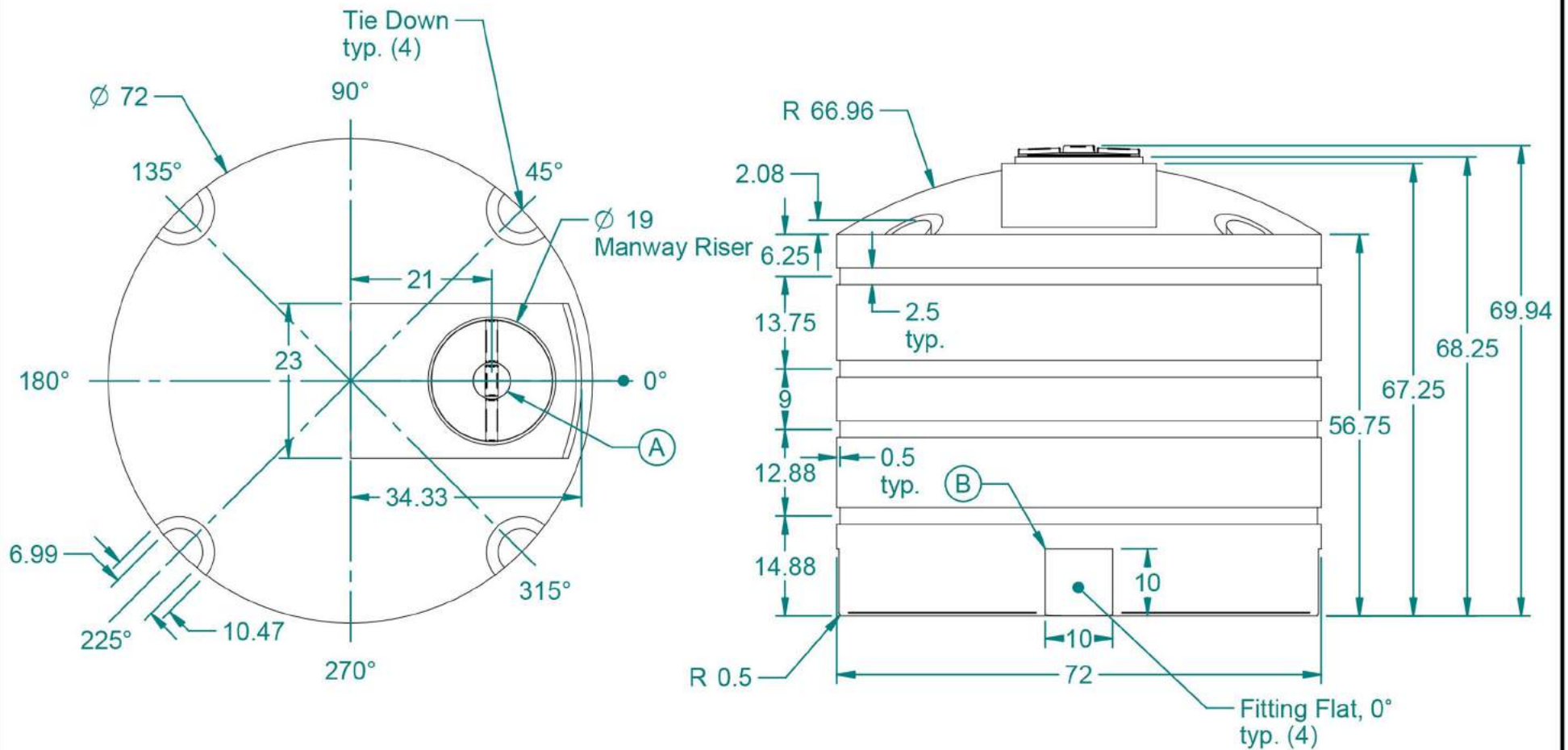


1100 Gallon Vertical Tank



A. 18" HDPE THREADED - VENTED MANWAY W/ 16" ACCESS, BLACK, W/ SS SCREWS (P/N 751016)

C. TANK FITTINGS TO BE INSTALLED AT TIME OF SHIPMENT AS PER DURA-CAST PROCEDURES

Weight: Dependent on specific gravity rating		NAME	DATE	
Wall Thickness: Dependent on specific gravity rating	Drawn By:	S. Arant	6/18/2012	
Customer Part No: N/A	Customer APPR			Customer:
Print Date: 8/28/2012	COPYRIGHT©2012 DURA-CAST PRODUCTS, INC.			PartTitle: 1100 Gallon Vertical Tank
Comments: - UNLESS OTHERWISE SPECIFIED DIMENSIONS ARE IN INCHES - Std Radii 3/16"	UNLESS OTHERWISE SPECIFIED TOLERANCES ARE DIMS > 10" ±1% DIMS < 10" ±0.100 WALL THICKNESS ± 20% FLATNESS ± .030 in/in			File Name: 1100 Gallon Vertical Tank.dft
	Size: A	Material:	HDPE 942	Rev:
Part No:	Do Not Scale	Sheet:	1 OF 1	