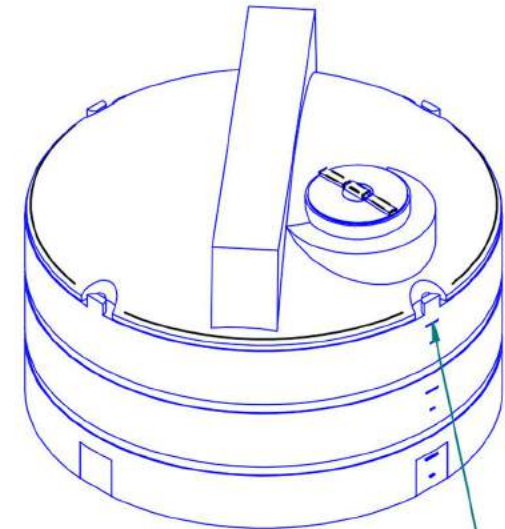
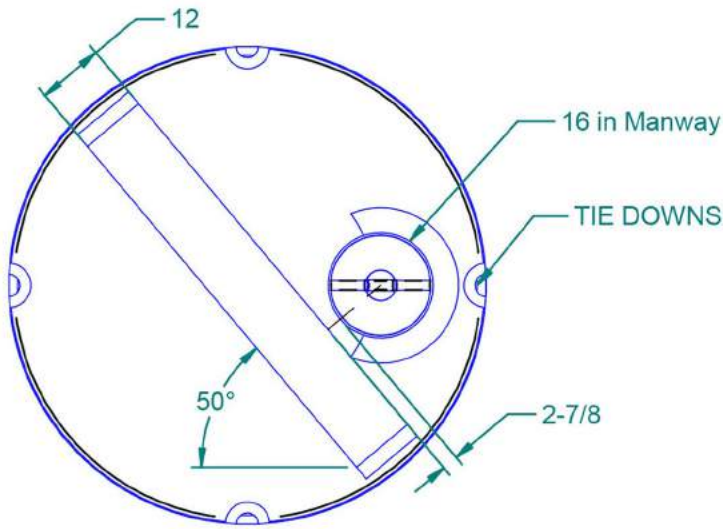
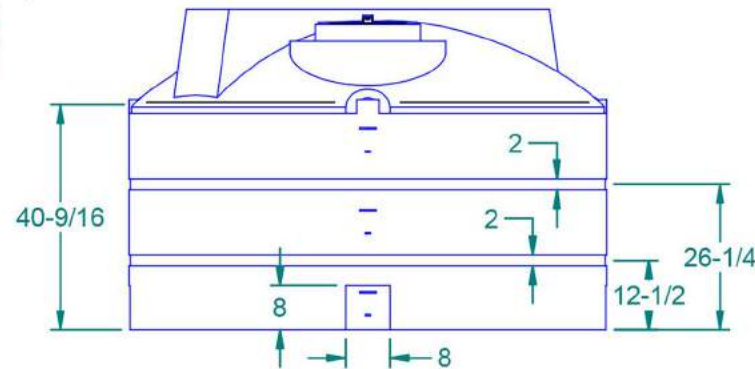
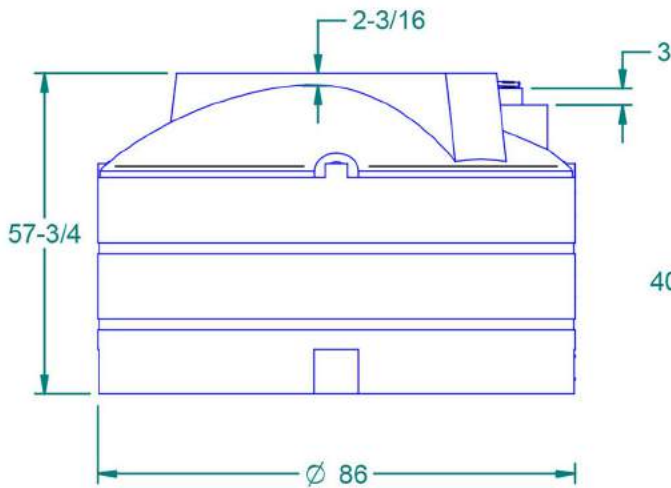


MAIN PRODUCT INFORMATION

REVISION HISTORY				
REV	DESCRIPTION	DATE	APPROVED	Revised By
10	ADDED 3" RING TO INCREASE CAPACITY	02/11/10		



GRADUATIONS



Weight: 244564 lbm	NAME	DATE		
Wall Thickness: 0.250 in	Drawn By: mnegron	3/31/2011		
Customer Part No: n/a	Customer APPR		Customer:	
Print Date: 3/31/2011	Copyright©2007 Dura-Cast Products, Inc.		PartTitle: I100 Gal Vertical Tank	
Comments: - UNLESS OTHERWISE SPECIFIED DIMENSIONS ARE IN INCHES - Std Radii 3/16"	Tolerance: UNLESS OTHERWISE SPECIFIED TOLERANCES ARE ±1%		File Name: V-1100 Vertical (Flat Top) 02.dft	
	Size: A	Material: Polyethylene, low density	Rev: 10	
	Part No:	Do Not Scale	Sheet:	1 OF 1

VSD1100-86

(866) 776-8265

PROTANK

sales@protank.com