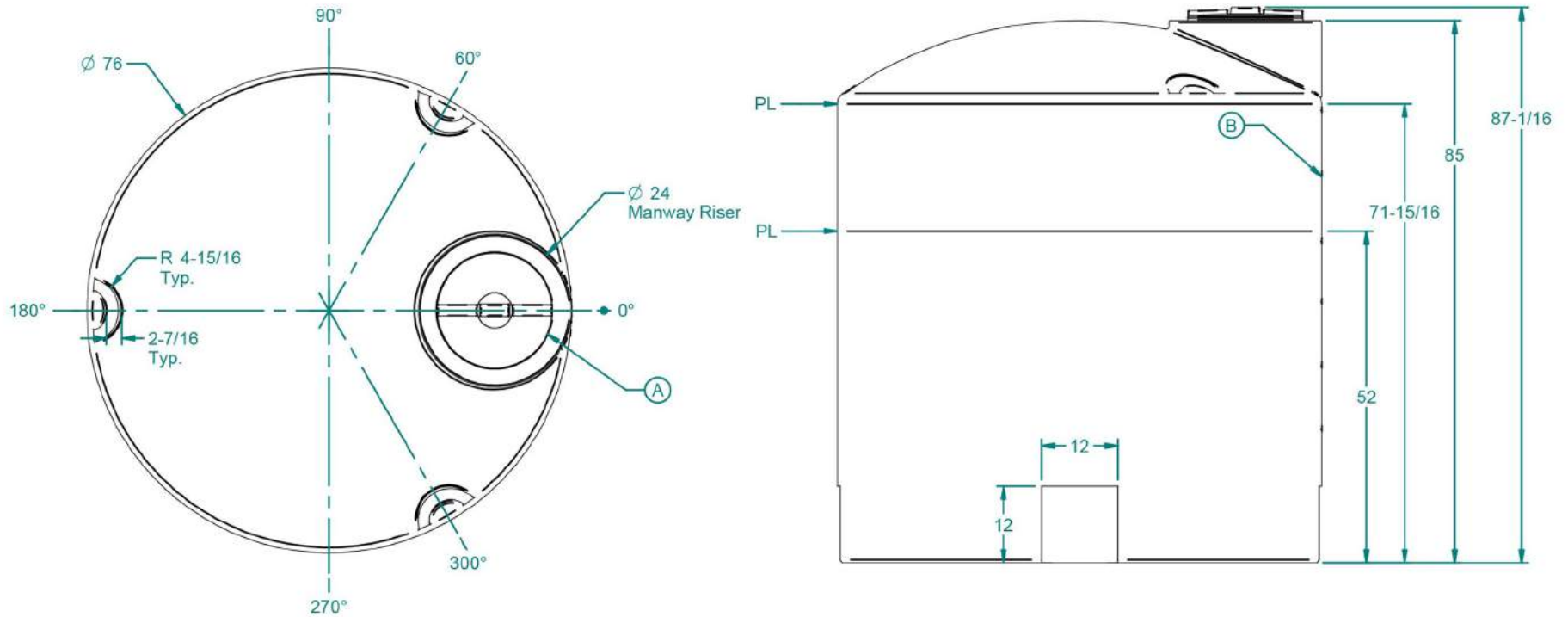


1550 Gallon Vertical Tank



- A. 16" HDPE THREADED - VENTED MANWAY W/ 16" ACCESS, BLACK, W/ SS SCREWS (P/N 751016)
- B. TANK CALIBRATION AT 0° IN 200 GALLON INCREMENTS
- C. TANK FITTINGS TO BE INSTALLED AT TIME OF SHIPMENT AS PER DURA-CAST PROCEDURES

Weight: <small>Dependent on specific gravity rating</small>		NAME	DATE	
Wall Thickness: <small>Dependent on specific gravity rating</small>	Drawn By:	S. Arant	7/25/2014	
Customer Part No: N/A	Customer APPR			Customer:
Print Date: 7/25/2014	COPYRIGHT©2014 DURA-CAST PRODUCTS, INC.			PartTitle: 1550 Gallon Vertical Tank
Comments: - UNLESS OTHERWISE SPECIFIED DIMENSIONS ARE IN INCHES - Std Radii 3/16"	UNLESS OTHERWISE SPECIFIED TOLERANCES ARE DIMS > 10" ±1% DIMS < 10" ±0.100 WALL THICKNESS ± 20% FLATNESS ± .030 in/in			File Name: 1550 Gal Vertical Tank.dft
	Size A	Material: HDPE 942		Rev:
Part No:		Do Not Scale	Sheet:	1 OF 1