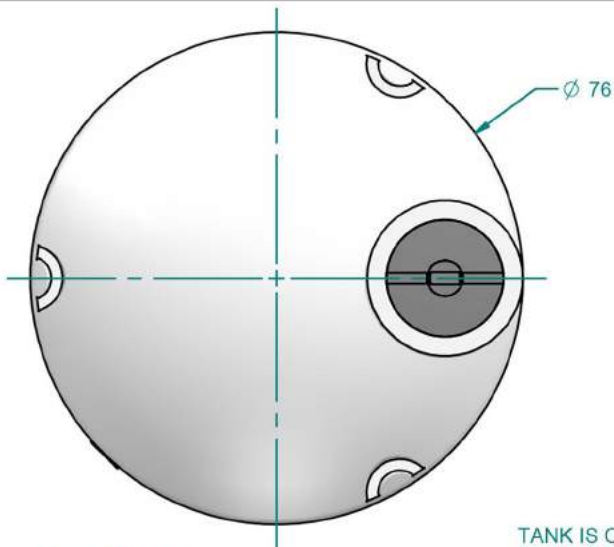


REVISION HISTORY			
REV	DESCRIPTION	DATE	APPROVED
10	UPDATED DRAWING ACCORDING TO CURRENT TANK	03/30/11	

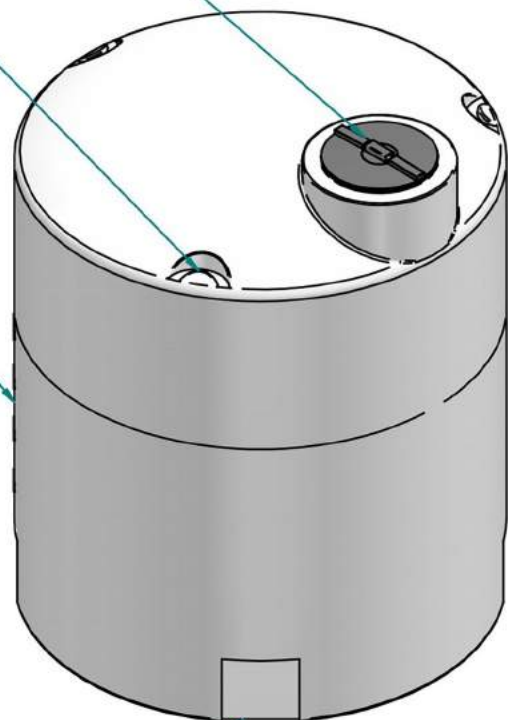


Top View

TANK TIE DOWN AREAS
120° APART
60° FROM MANWAY

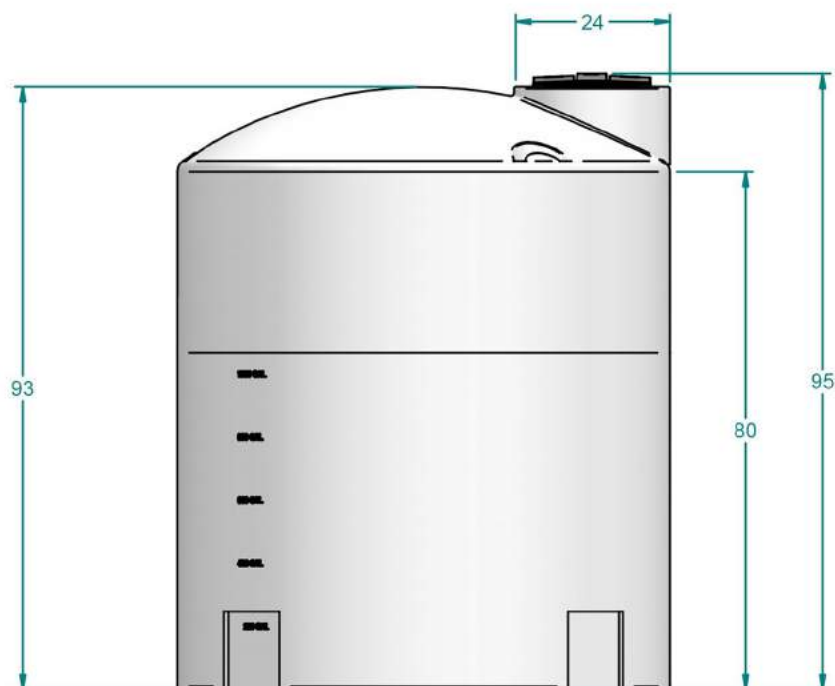
TANK IS CALIBRATED
IN 200 GAL INCREMENTS
UP TO 1000 GALLONS
ALIGNED WITH FLAT SPOT

16" MANWAY



ISO View

FLAT SPOT
90° APART
45° FROM MANWAY



Side View

wall thickness: 0.300"

DRAWN		NAME	DATE	TITLE	
CHECKED				V-1700 Gallon Tank	
ENG APPR				SIZE	MATERIAL: hdpe natural (200)
MGR APPR				A	REV 10
UNLESS OTHERWISE SPECIFIED DIMENSIONS ARE IN INCHES ANGLES ±0.5° 2 PL ±0.125" 3 PL ±0.060"				FILE NAME: 901750 01.dft	
PART#:		WEIGHT: 299.420 lbm		SHEET 1 OF 1	