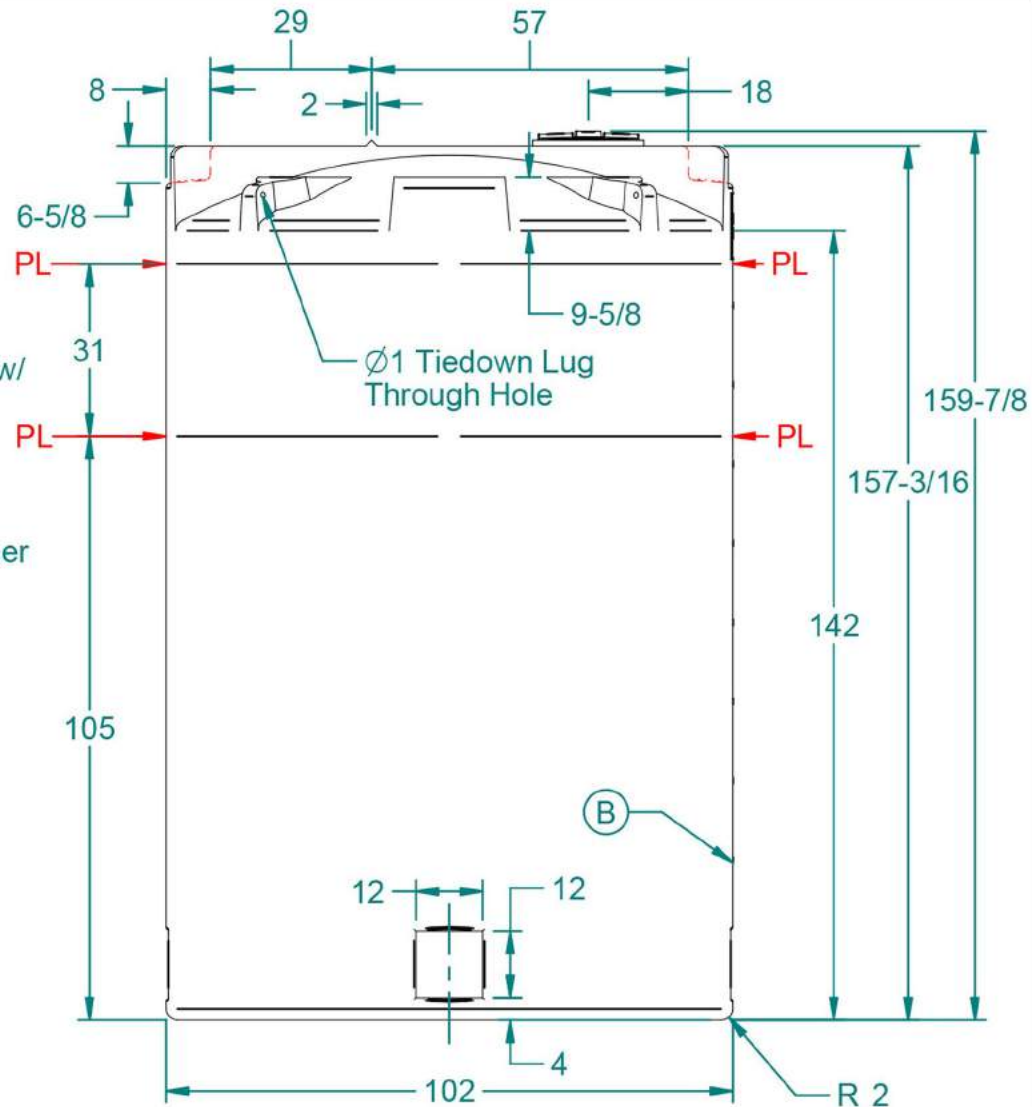
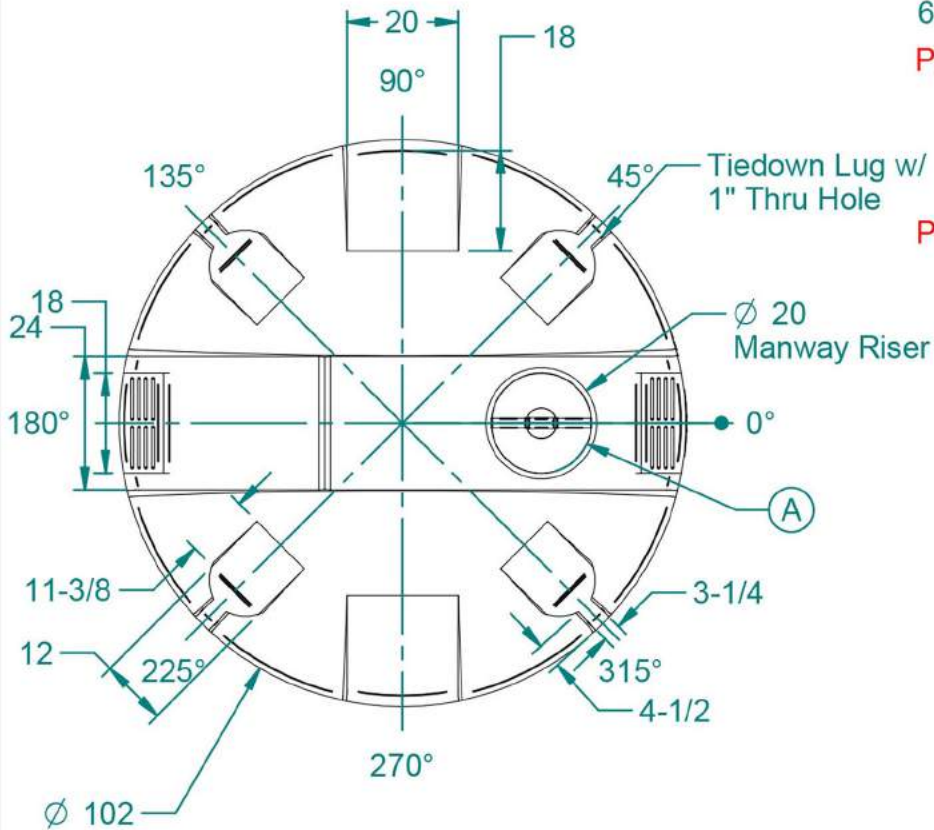


5000 Gallon Vertical Tank



A. 18" HDPE THREADED - VENTED MANWAY W/ 16" ACCESS, BLACK, W/ SS SCREWS (P/N 751016)

B. CALIBRATIONS AT 0° IN 500 GAL INCREMENTS

TANK FITTINGS TO BE INSTALLED AT TIME OF SHIPMENT AS PER DURA-CAST PROCEDURES

Weight Dependent on specific gravity rating		NAME	DATE	
Wall Thickness Dependent on specific gravity rating	Drawn By:	SArant	1/22/2013	
Customer Part No: N/A	Customer APPR			Customer:
Print Date: 11/7/2013	COPYRIGHT©2013 DURA-CAST PRODUCTS, INC.		PartTitle: 5000 Gallon Vertical Tank	
Comments - UNLESS OTHERWISE SPECIFIED DIMENSIONS ARE IN INCHES - Std Radii 3/16"	UNLESS OTHERWISE SPECIFIED TOLERANCES ARE DIMS > 10" ±1% DIMS < 10" ±0.100 WALL THICKNESS ± 20% FLATNESS ± .030 in/in		File Name: 5000 Gallon Vertical Tank.dft	
	Size A	Material: HDPE 942	Rev:	
Part No:	Do Not Scale	Sheet:	1 OF 1	