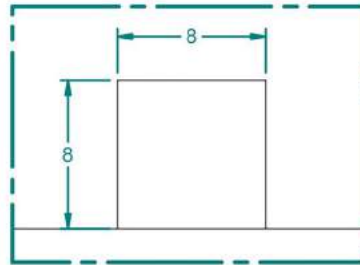
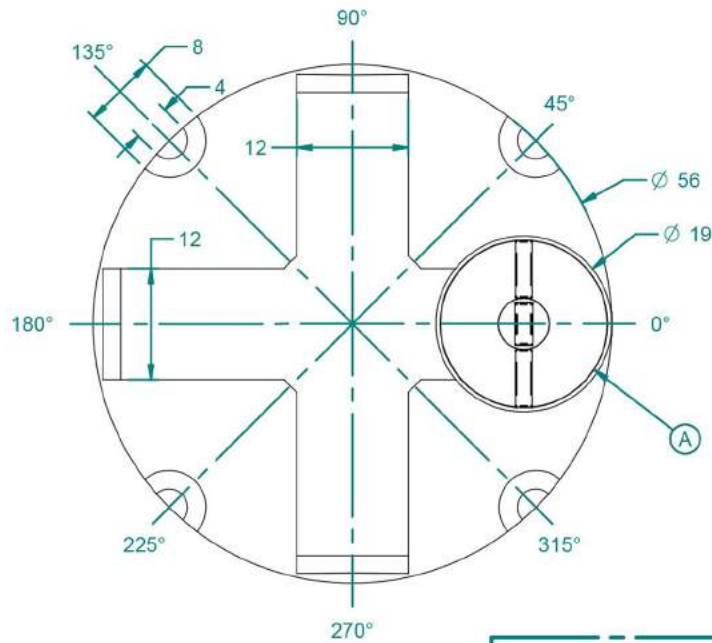
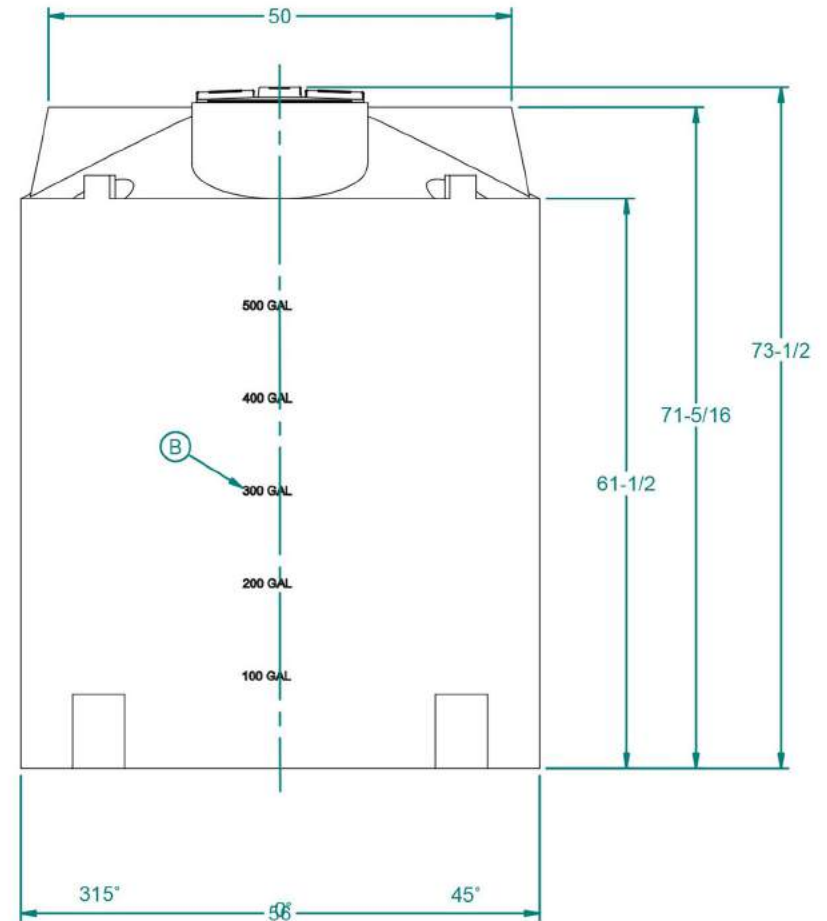


650 Gallon Vertical Tank



Typical Fitting Flat



- A. 18" HDPE THREADED - VENTED MANWAY W/ 16" ACCESS, BLACK, W/ SS SCREWS (P/N 751016)
- B. TANK CALIBRATION AT 0° IN 100 GAL INCREMENTS
- C. TANK FITTINGS TO BE INSTALLED AT TIME OF SHIPMENT AS PER DURA-CAST PROCEDURES

| | | | | |
|--|---|-----------------|-----------|---|
| Weight: Dependent on specific gravity rating | | NAME | DATE | |
| Wall Thickness: Dependent on specific gravity rating | Drawn By: | S. Arant | 2/25/2015 | |
| Customer Part No: N/A | Customer APPR | | | Customer: |
| Print Date: 2/25/2015 | COPYRIGHT©2015 DURA-CAST PRODUCTS, INC. | | | PartTitle: 650 Gallon Vertical Tank |
| Comments: - UNLESS OTHERWISE SPECIFIED DIMENSIONS ARE IN INCHES - Std Radii 3/16" | UNLESS OTHERWISE SPECIFIED TOLERANCES ARE DIMS > 10" ±1% DIMS < 10" ±0.100 WALL THICKNESS ± 20% FLATNESS ± .030 in/in | | | File Name: 650 Gallon Vertical Tank.dft |
| | Size A | Material: LLDPE | | Rev: |
| Part No: | | Do Not Scale | Sheet: | 1 OF 1 |