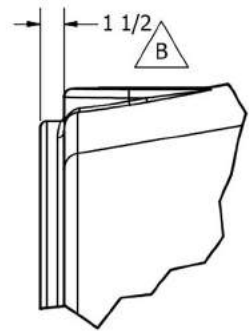
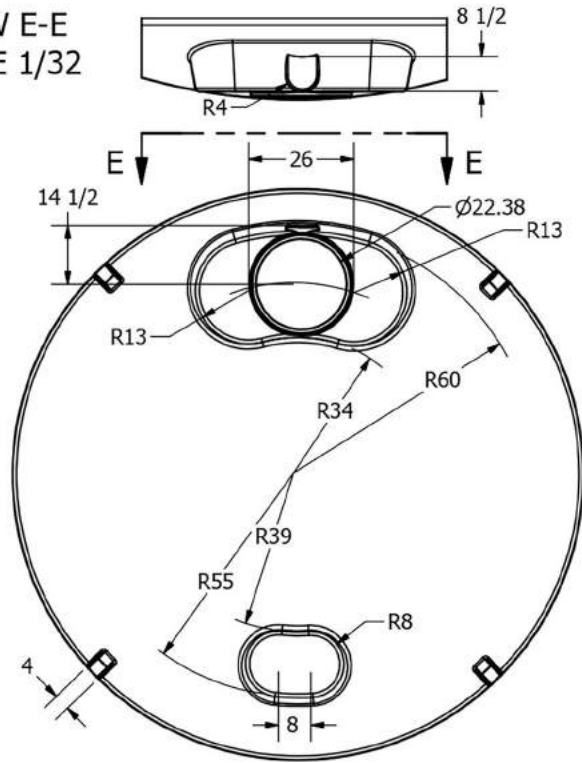
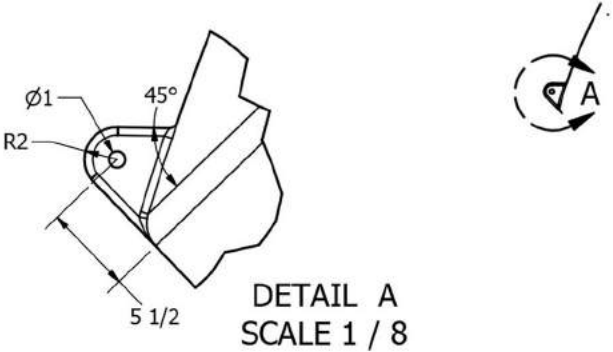
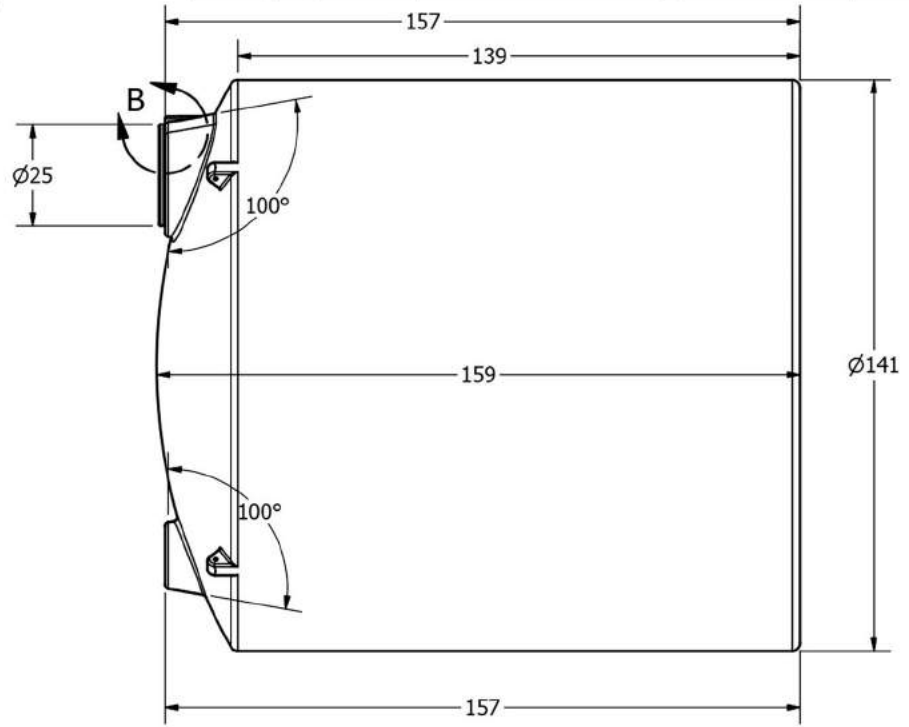


VIEW E-E  
SCALE 1/32

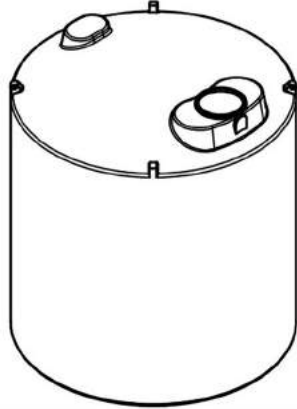


DETAIL B  
SCALE 1 / 8

REVISION HISTORY			
REV	AUTHOR	DESCRIPTION	DATE
A	Jerry Paulson	Removed Washington Court House	01/28/2010
B	Jerry Paulson	Added Fitting Flat at Manway	01MAR2012
C	Jerry Paulson	REVISED LID TO 22", P/N was 40545	18APR2013



DETAIL A  
SCALE 1 / 8



FOB FAIRFIELD, TX

DRAWN	Jerry Paulson	10/3/2006
CHECKED		
QA		
MFG		
APPROVED		

TITLE		
10,000 GALLON VERTICAL INDUSTRIAL TANK		
SIZE	DWG NO	REV
B		C
SCALE: 1/32		SHEET 1 OF 1