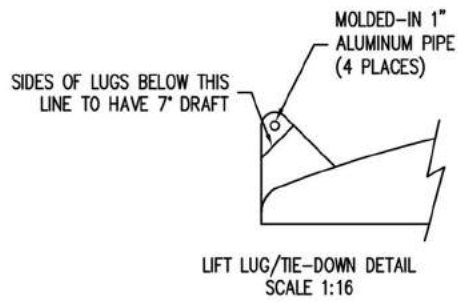
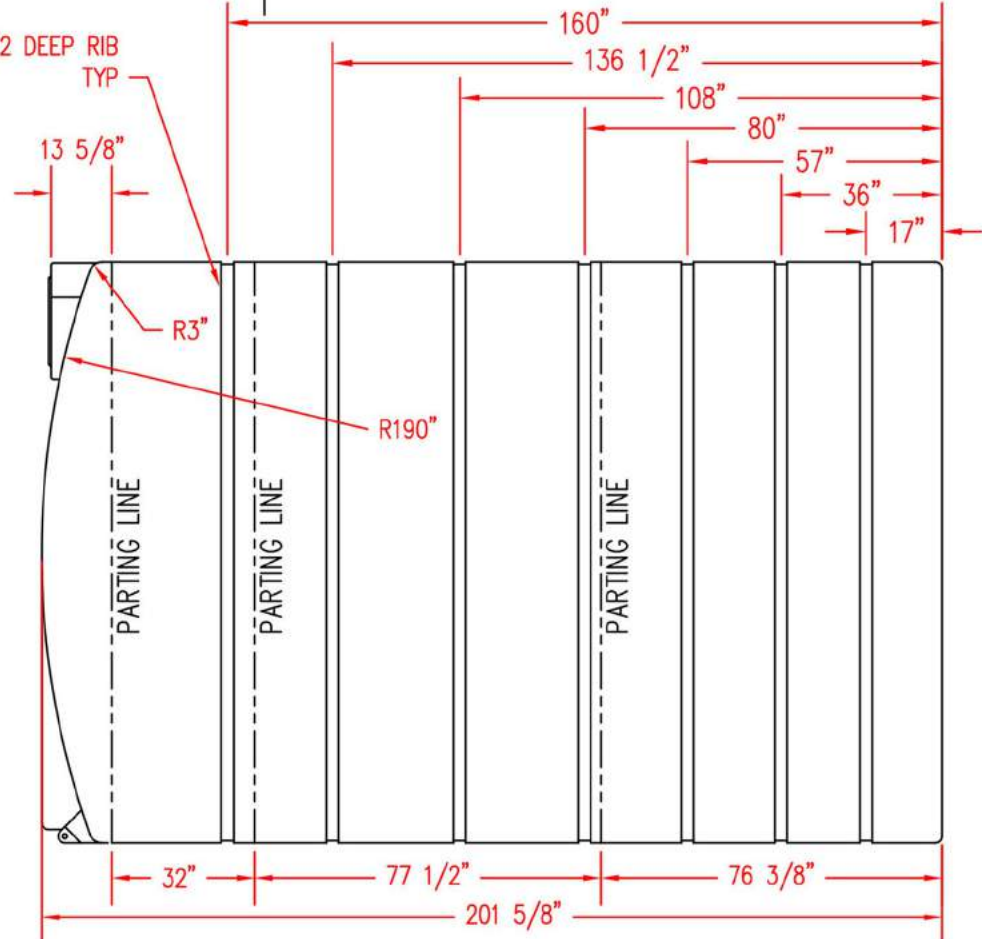
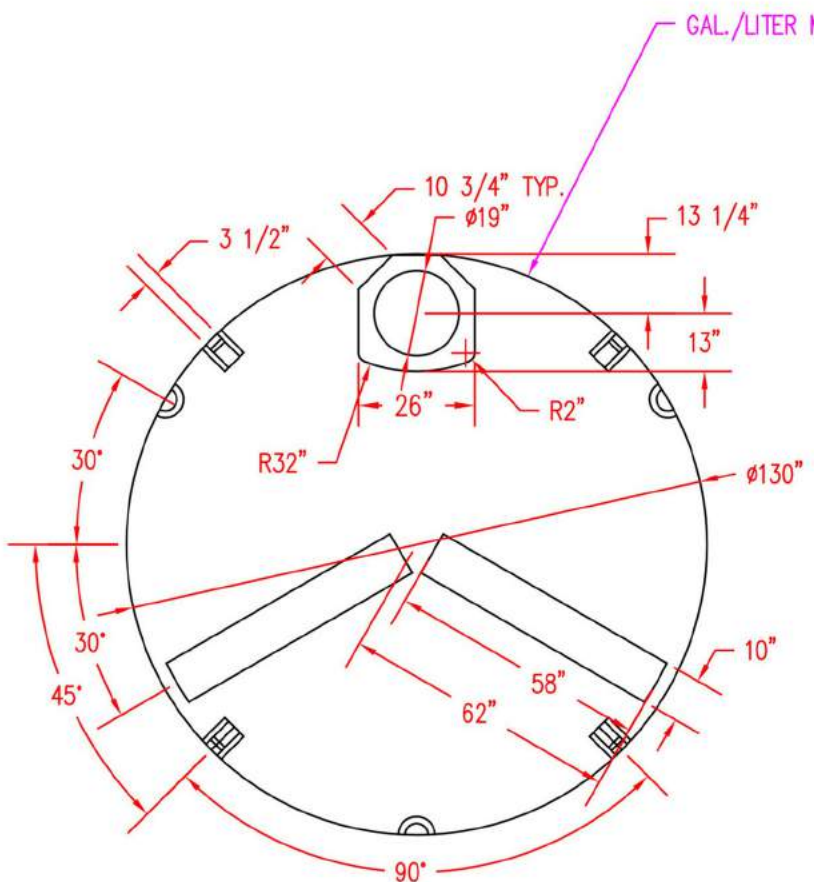


REVISIONS				
ZONE	REV	DESCRIPTION	DATE	APPROVED



10,500 GALLON VERTICAL STORAGE TANK					
JTP	24JUL03	SIZE B	FSCM NO.	DWG NO.	REV
SCALE 1/32			SHEET		