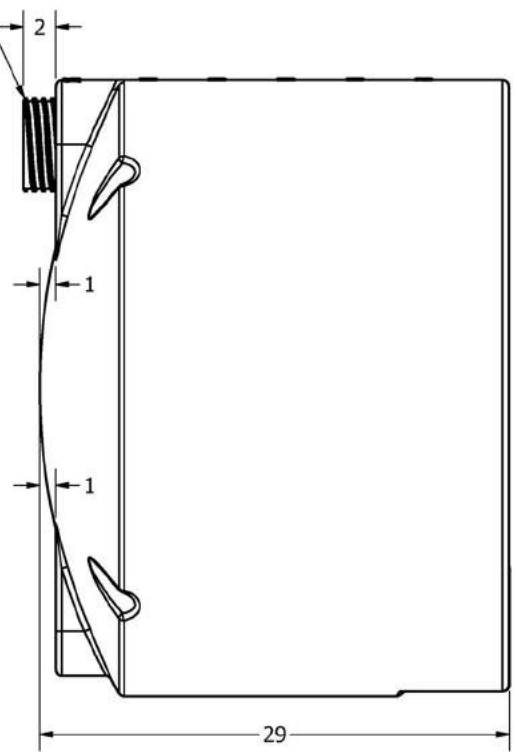
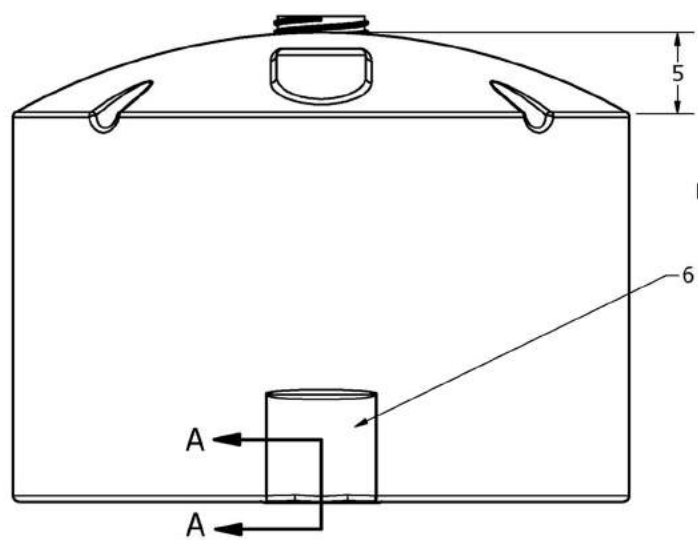
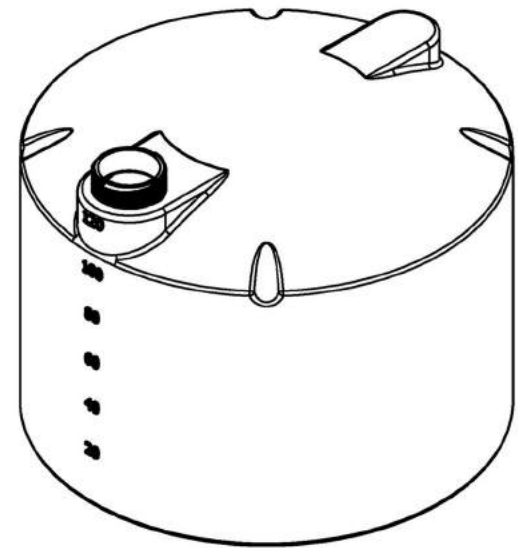


ACME THREAD
 5-3/4 MAJOR DIA
 5-3/8 MINOR DIA
 9/16 PITCH

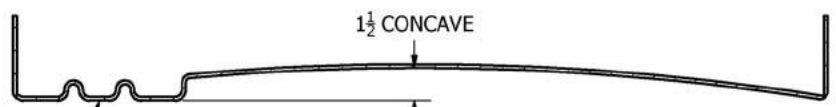


REVISION HISTORY			
REV	DESCRIPTION	DATE	AUTHOR
B	REDRAWN	1/13/1997	
C	LID THREAD REVISED	2/9/2000	
D	WAS MINI BULK TANK	8/15/2011	
E	REDRAWN	7/16/2013	Michael Holden




SUMP WITH 4-SEGMENT LOCATOR FOR STANDPIPE

6 3/4 X 6 3/4 FLAT



SECTION A-A
 SCALE 1:6

DRAWN Jerry Paulson	1/13/1997	TITLE	
CHECKED		120 GALLON VERTICAL TANK 	
QA		SIZE B	DWG NO
MFG		SCALE: 1/16	REV E
APPROVED		SHEET 1 OF 2	