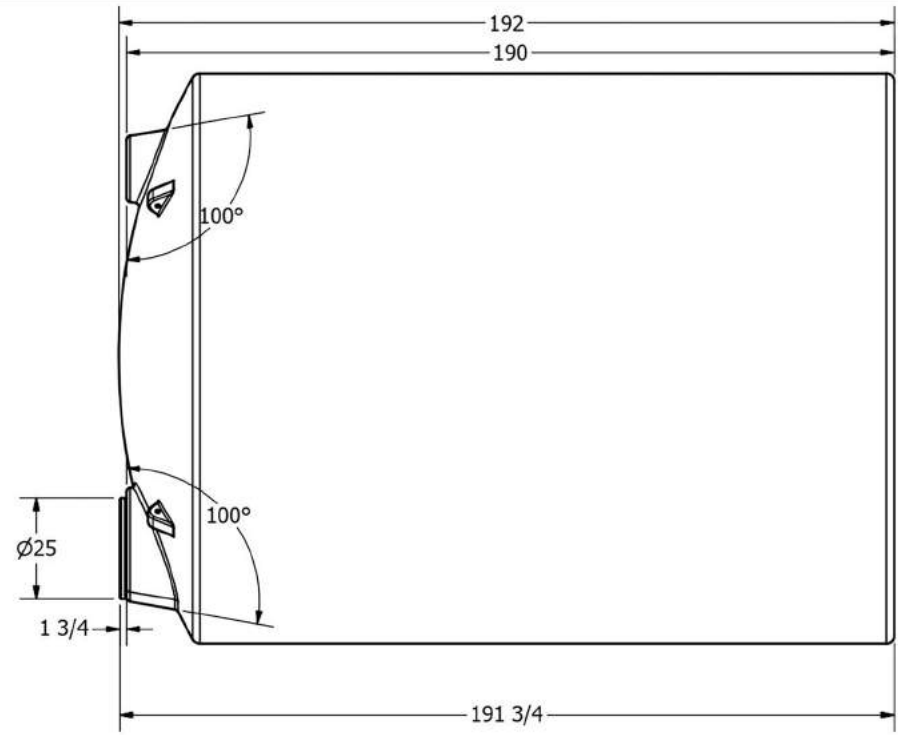
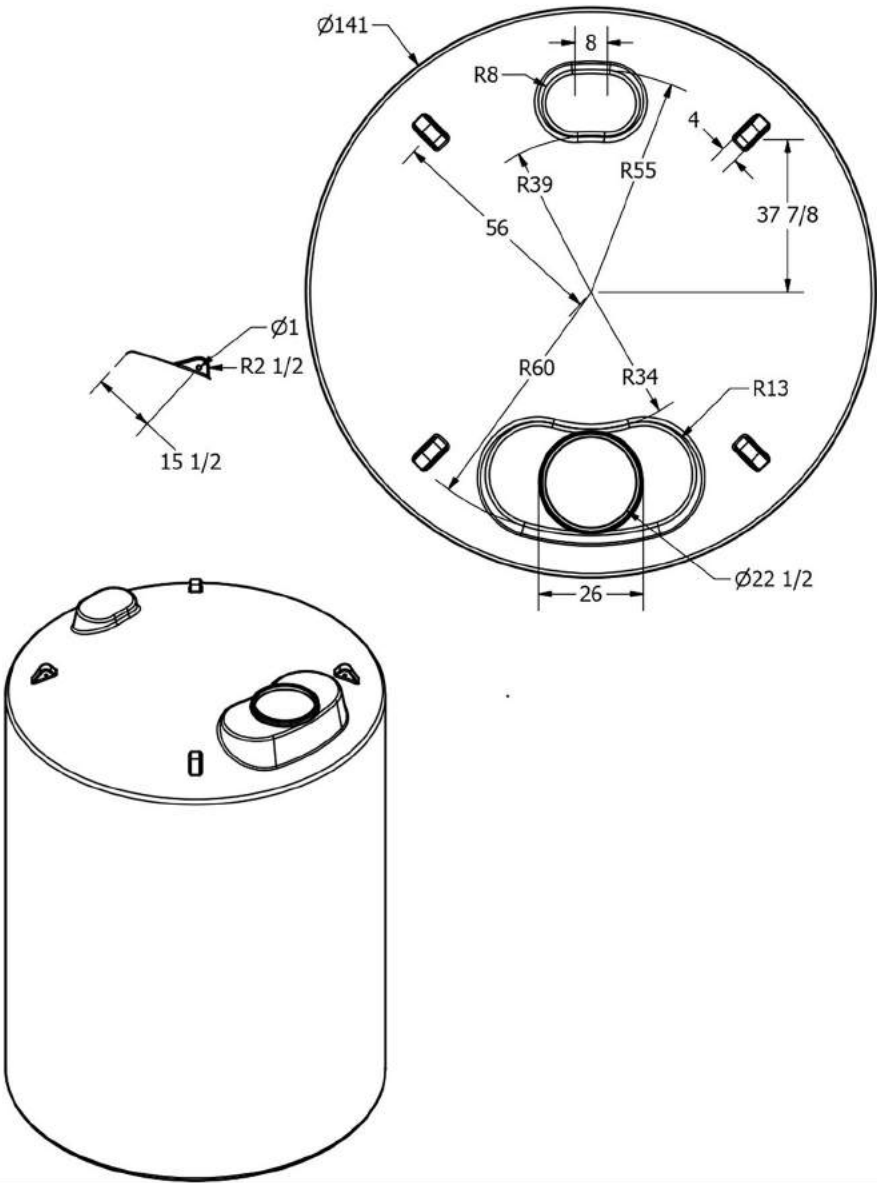


REV	DESCRIPTION	DATE	AUTHOR
A	LID REVISED TO 22"	3/5/2013	Jerry Paulson



FOB:
WASHINGTON COURT HOUSE, OH
SAINT BONIFACIUS, MN

DRAWN Jerry Paulson	4/19/2011	TITLE	
CHECKED		12,000 GALLON VERTICAL INDUSTRIAL TANK	
QA		SIZE	DWG NO
MFG		B	
APPROVED		SCALE: 1/16	REV A
		SHEET 1 OF 1	

VSN12000

(866) 776-8265

PROTANK

sales@protank.com