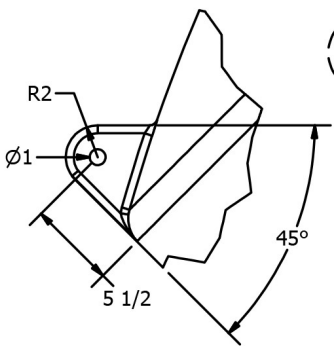
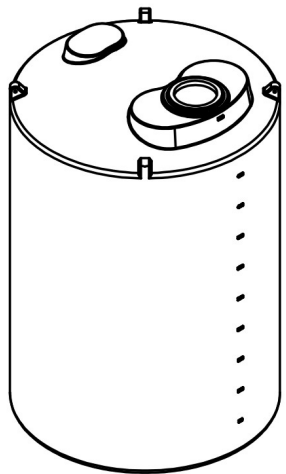
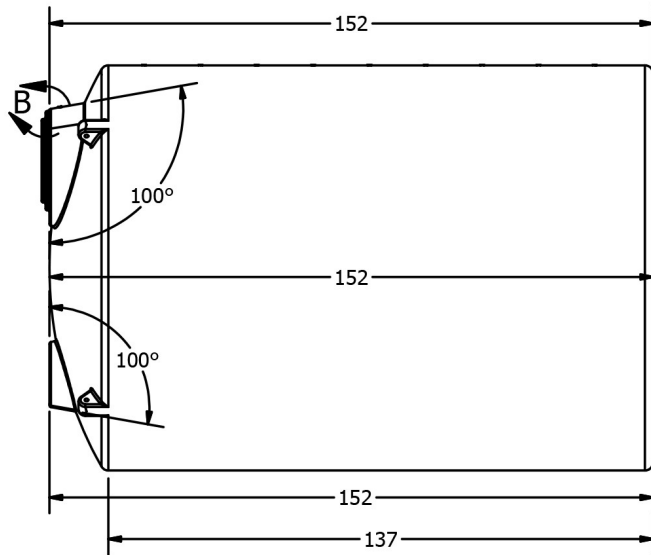
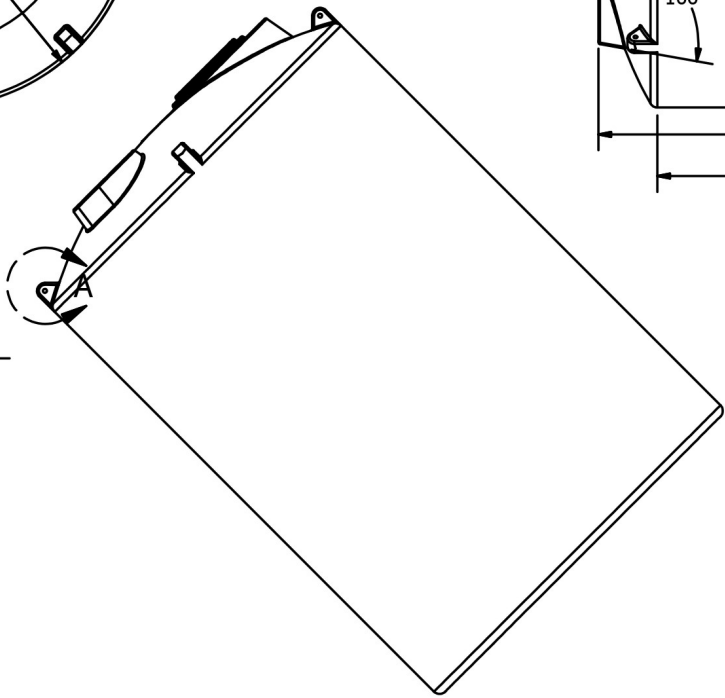


DETAIL B  
SCALE 1 / 8



DETAIL A  
SCALE 1 / 8



FOB FAIRFIELD, TX

DRAWN Jerry Paulson	10/7/2006			
CHECKED		TITLE		
QA		5000 GALLON VERTICAL INDUSTRIAL TANK		
MFG		SIZE	DWG NO	REV
APPROVED		B		
		SCALE: 1/32	SHEET 1 OF 1	