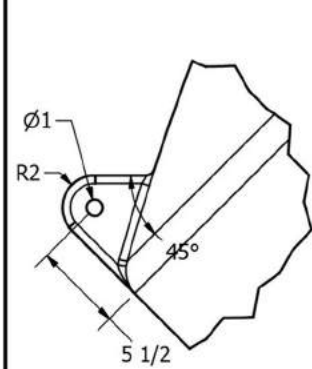
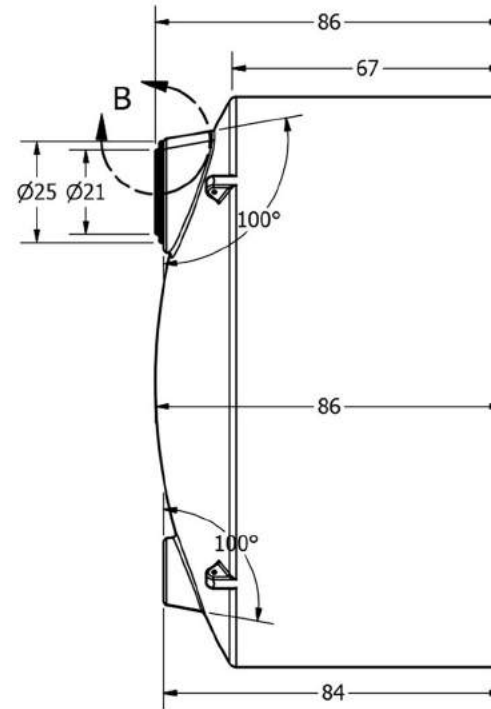
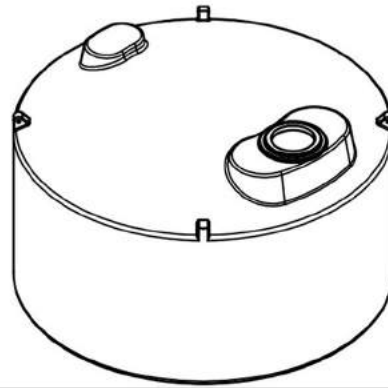


DETAIL B  
SCALE 1 / 8



DETAIL A  
SCALE 1 / 8



FOB FAIRFIELD TX

DRAWN Jerry Paulson	2/14/2012	TITLE	
CHECKED		5000 GALLON X 141 DIAMETER TANK	
QA		SIZE	DWG NO
MFG		B	
APPROVED		SCALE: 1/16	REV
			SHEET 1 OF 1