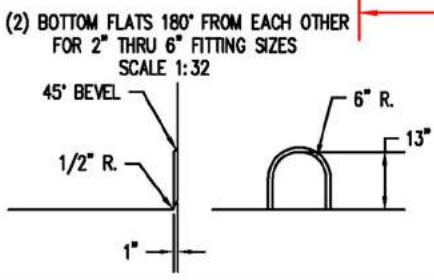
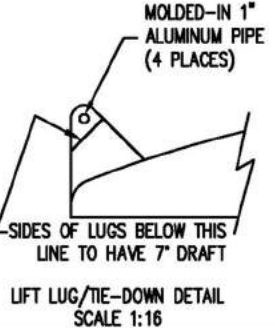
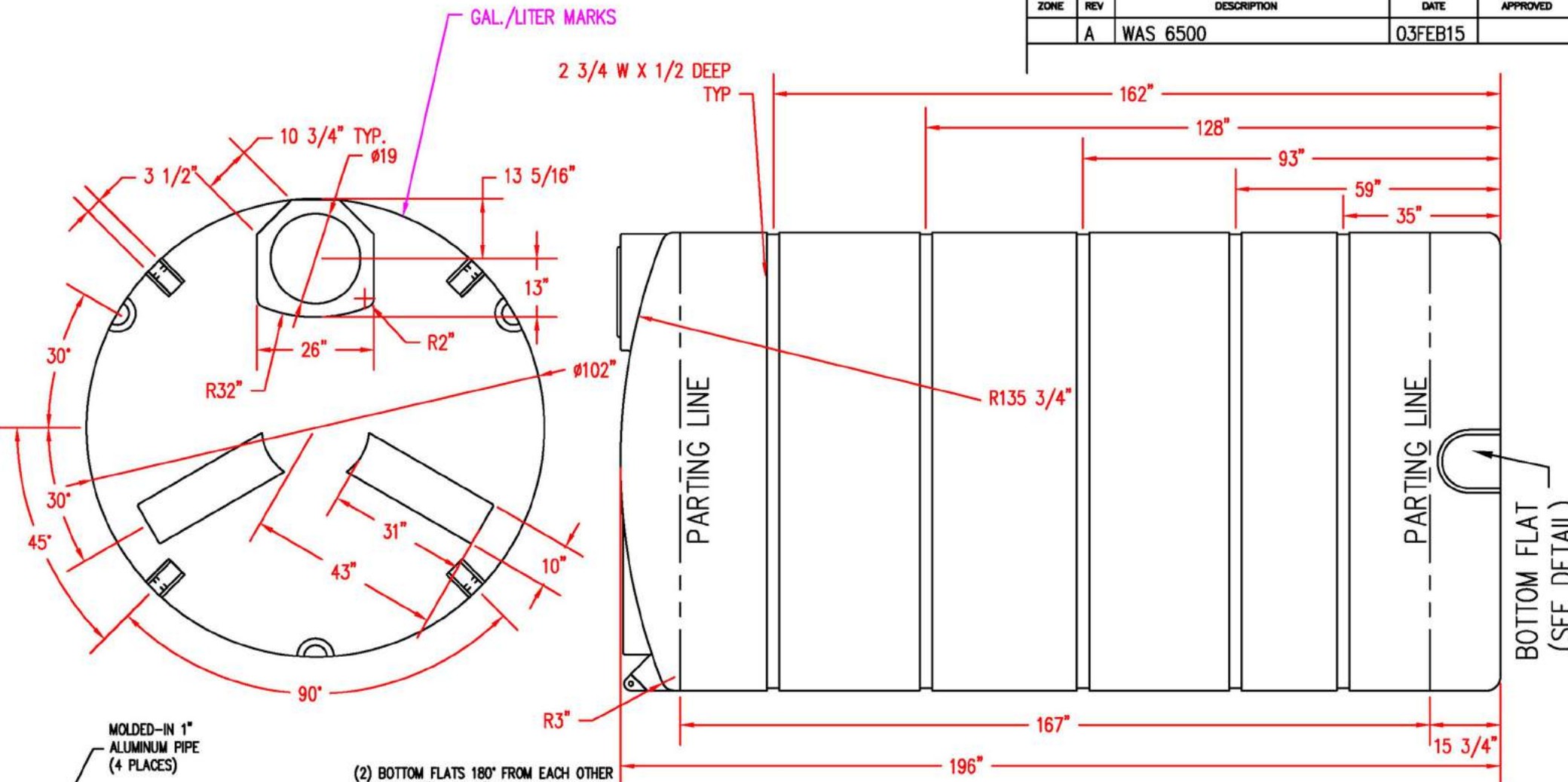


REVISIONS				
ZONE	REV	DESCRIPTION	DATE	APPROVED
	A	WAS 6500	03FEB15	



JTP 24JUL03		① 6502 GALLON VERTICAL STORAGE TANK		REV A
		SIZE B	FSCM NO.	DWG NO.
SCALE 1/24		SHEET		