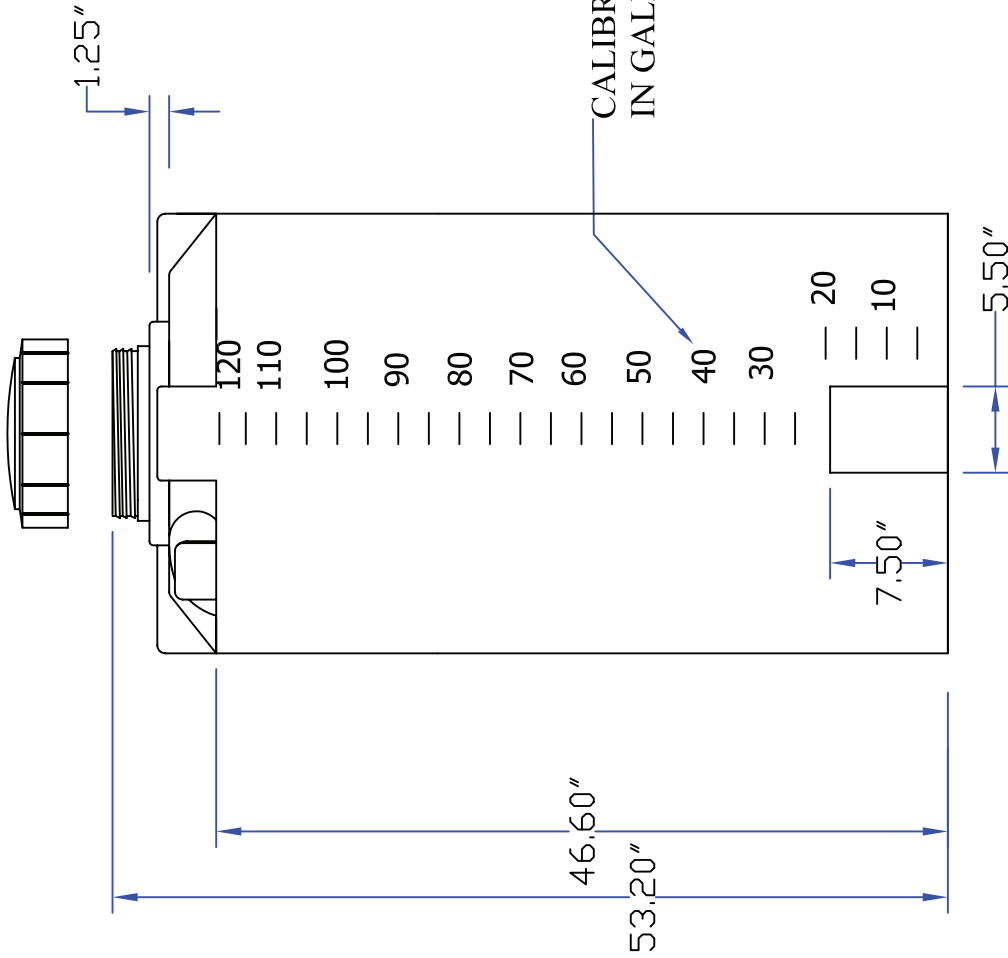
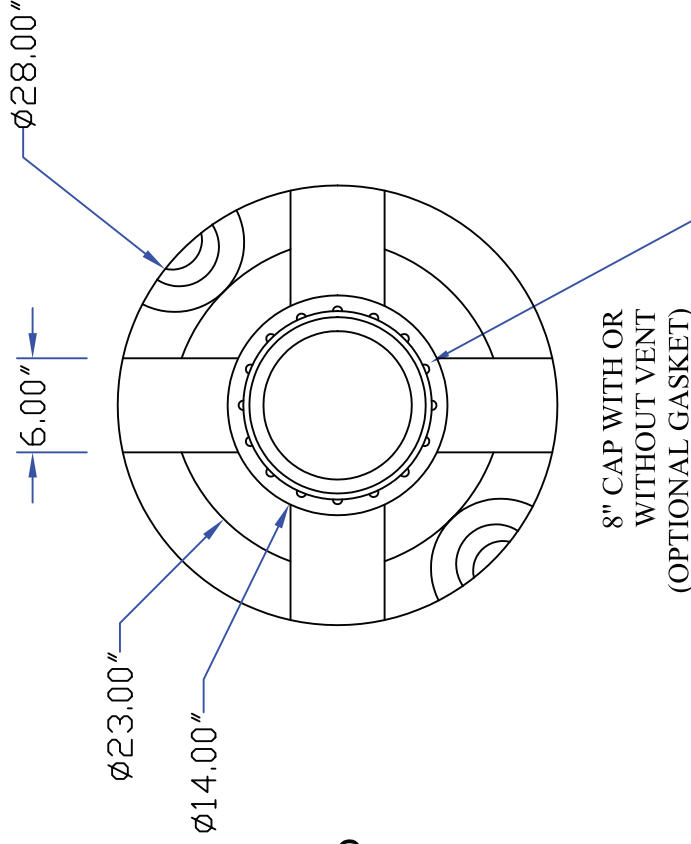


SIDE VIEW



TOP VIEW



**PROTANK**  
*liquidehandling products*

CLIENT / DESCRIPTION

120 GALLON VERTICAL TANK

SCALE

N.S.

PART NO.

MATERIAL / SHOT WEIGHT

HDPE 40 LBS.

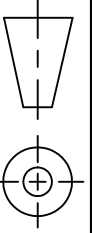
DRAWN / DATE

MPS/04/02/03

APPRD. / DATE

NOTES:

THIRD ANGLE PROJECTION  
ANSI 14.5M



REV DESCRIPTION DATE APPRD

ALL DIMENSIONS ARE IN DECIMAL INCHES  
TOLERANCES UNLESS OTHERWISE SPECIFIED  
+ .5% @ 68° F