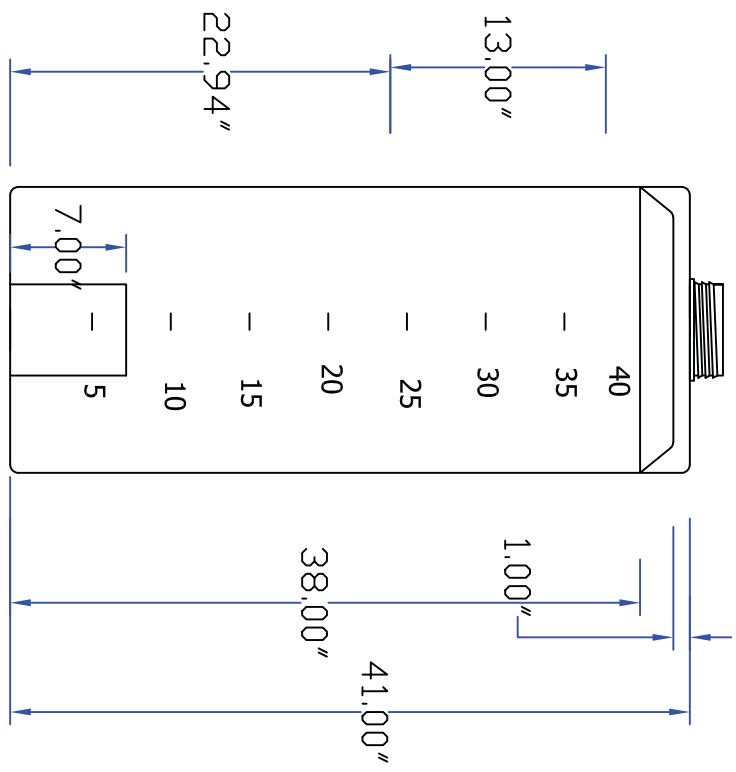
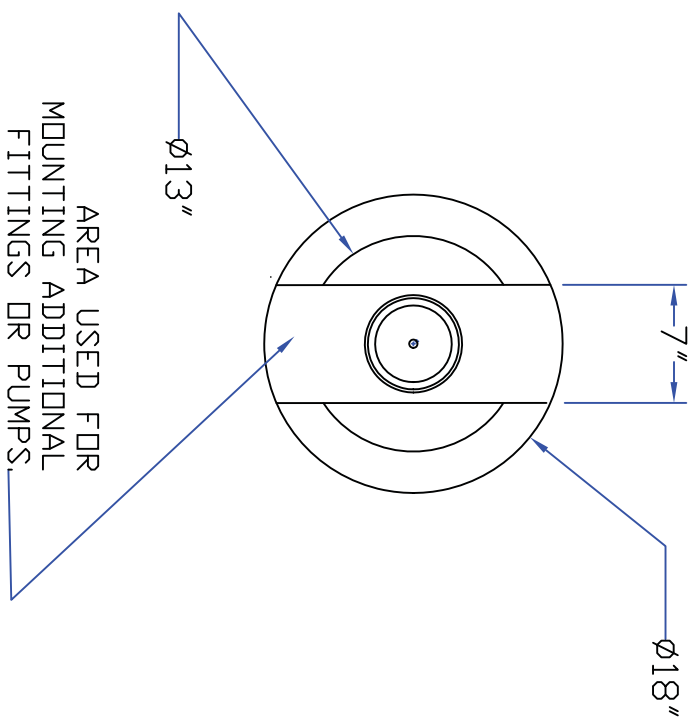


SIDE VIEW

5" THREADED LID WITH VENT

TOP VIEW



REV	DIA CHANGED	1/02	APPRD	APPRD.	DATE
REV	DESCRIPTION	DATE	APPRD		

DRAWN / DATE	MATERIAL / SHOT WEIGHT
MPSYKES/1/19/03	HDPE 33 LBS.

CLIENT / DESCRIPTION	SCALE	PART NO.
40 GALLON VERTICAL TANK	N.S.	



ALL DIMENSIONS ARE IN DECIMAL INCHES
TOLERANCES UNLESS OTHERWISE SPECIFIED
+ .5% @ 68° F

