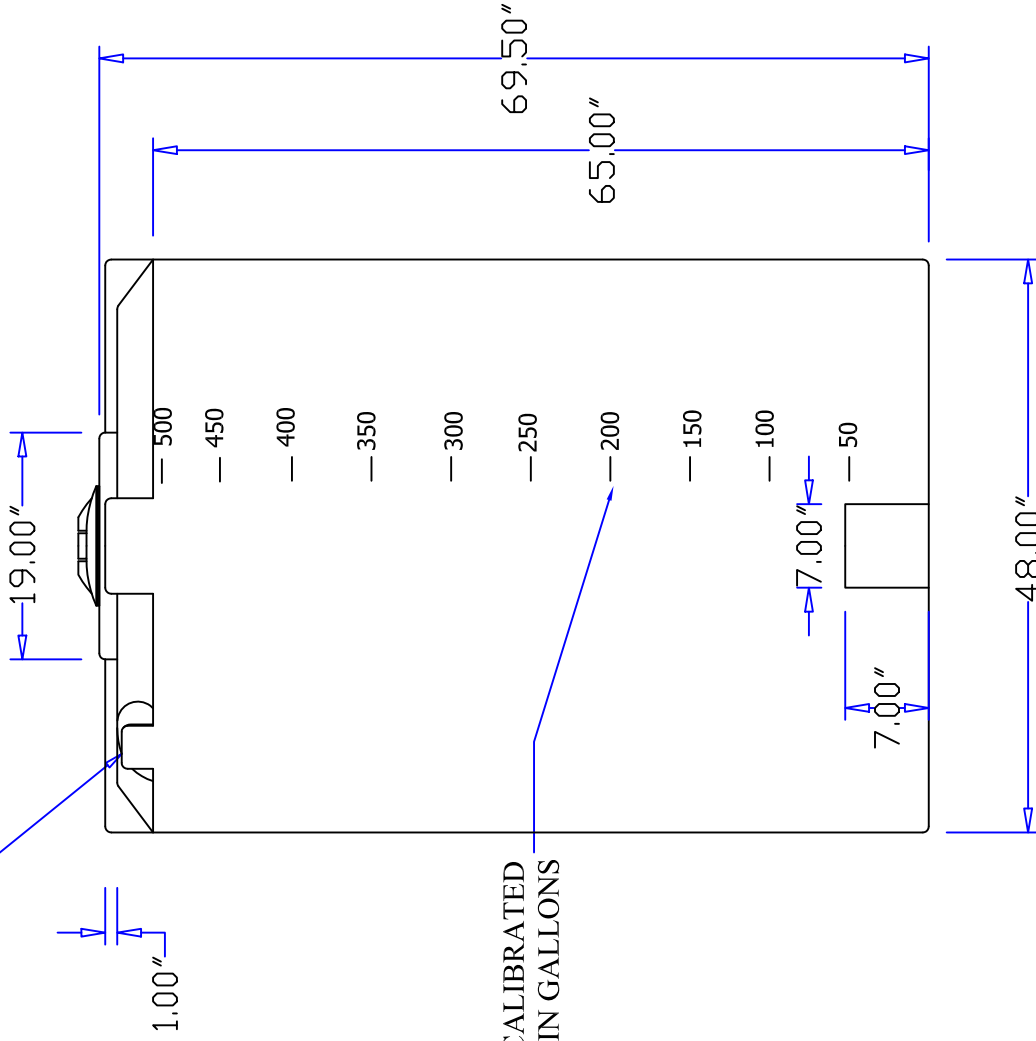
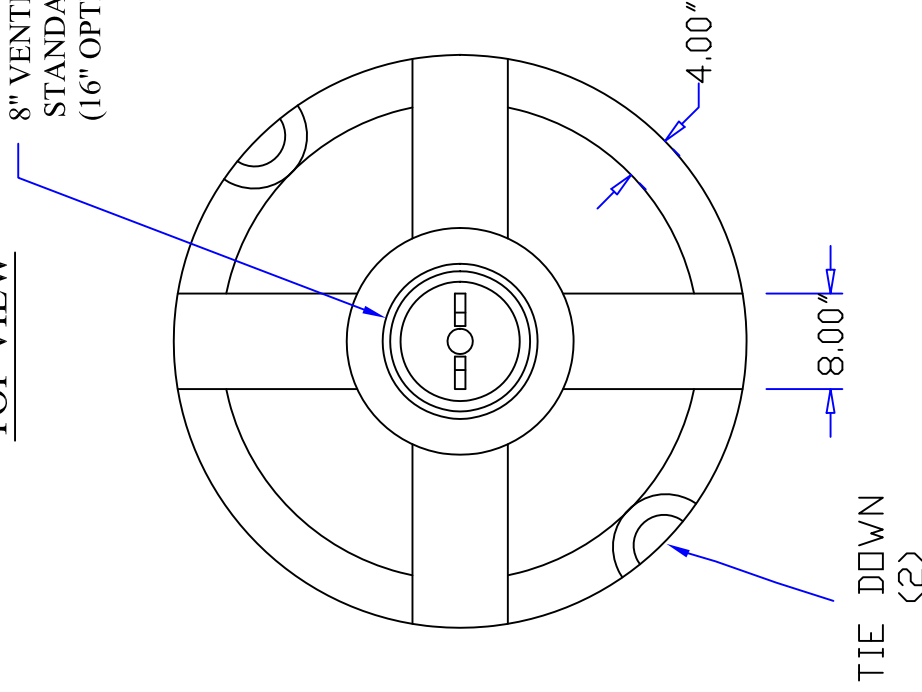


NEW* EASY
TO HANDLE
TIE DOWNS.

SIDE VIEW



TOP VIEW



PROTANK
liquidehandling products

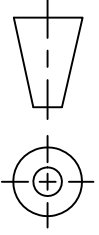
MATERIAL / SHOT WEIGHT

HDPE 120 LBS.

DRAWN / DATE
MSYKES/5/12/03

APPRD. / DATE

THIRD ANGLE PROJECTION
ANSI 14.5M



CLIENT / DESCRIPTION

500 GALLON VERTICAL TANK

ALL DIMENSIONS ARE IN DECIMAL INCHES
TOLERANCES UNLESS OTHERWISE SPECIFIED
± .5% @ 68° F

SCALE

N.S.

PART NO.