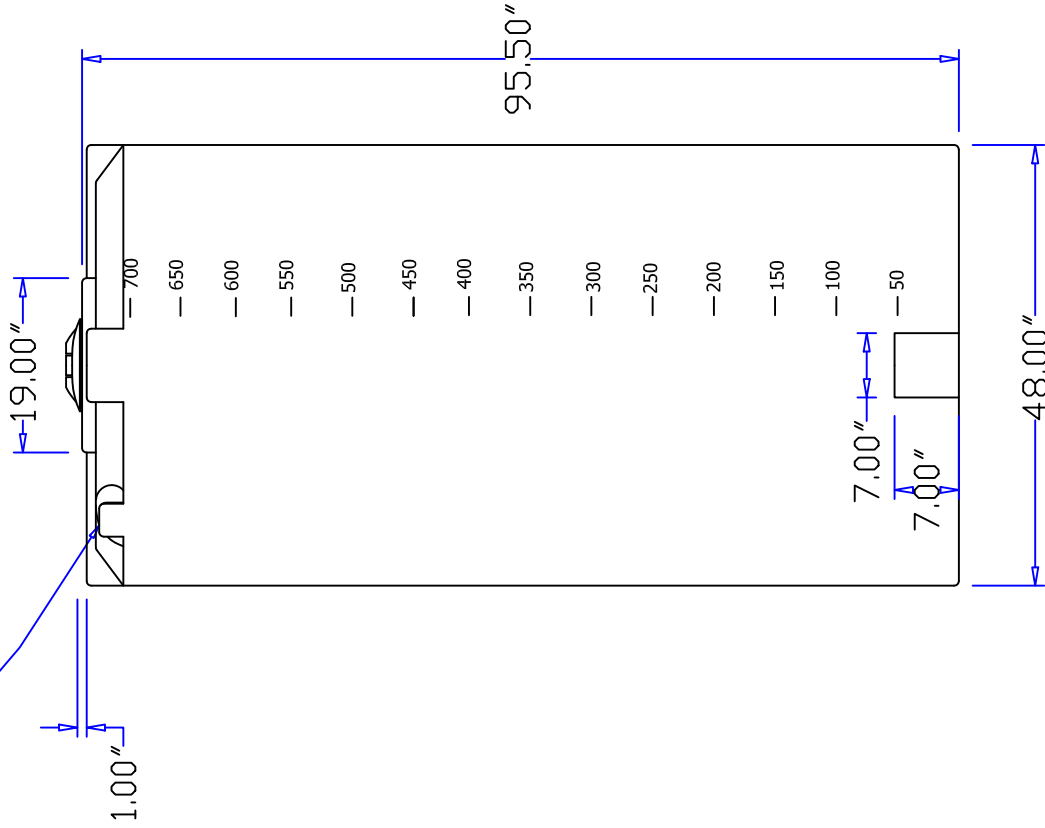


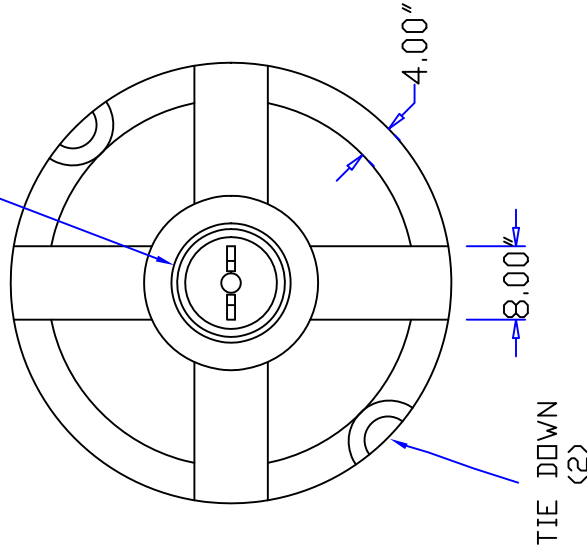
SIDE VIEW

NEW* EASY
TO HANDLE
TIE DOWNS.



TOP VIEW

8" VENTED LID,
STANDARD.
(16" OPTIONAL)



NOTE: CALIBRATED IN GALLONS

PROTANK
liquidhandling products

CLIENT / DESCRIPTION
700 GALLON VERTICAL TANK

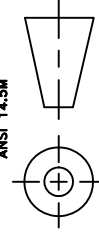
SCALE **N.S.** PART NO.

MATERIAL / SHOT WEIGHT

HDPE 160/180 LBS.

NOTES:

THIRD ANGLE PROJECTION
ANSI 14.5M



ALL DIMENSIONS ARE IN DECIMAL INCHES
TOLERANCES UNLESS OTHERWISE SPECIFIED
+ .5% @ 68° F

DRAWN / DATE

APPRD. / DATE

REV DESCRIPTION DATE APPRD