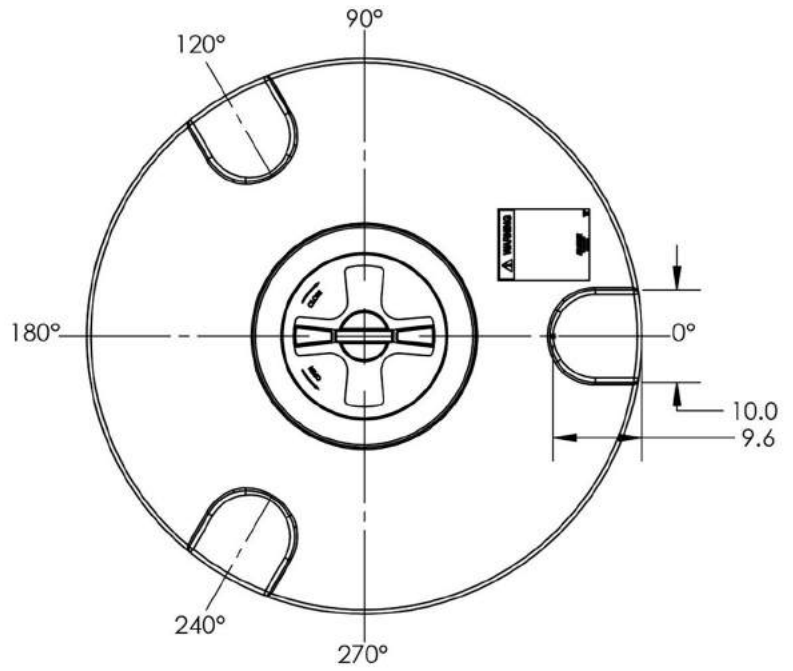
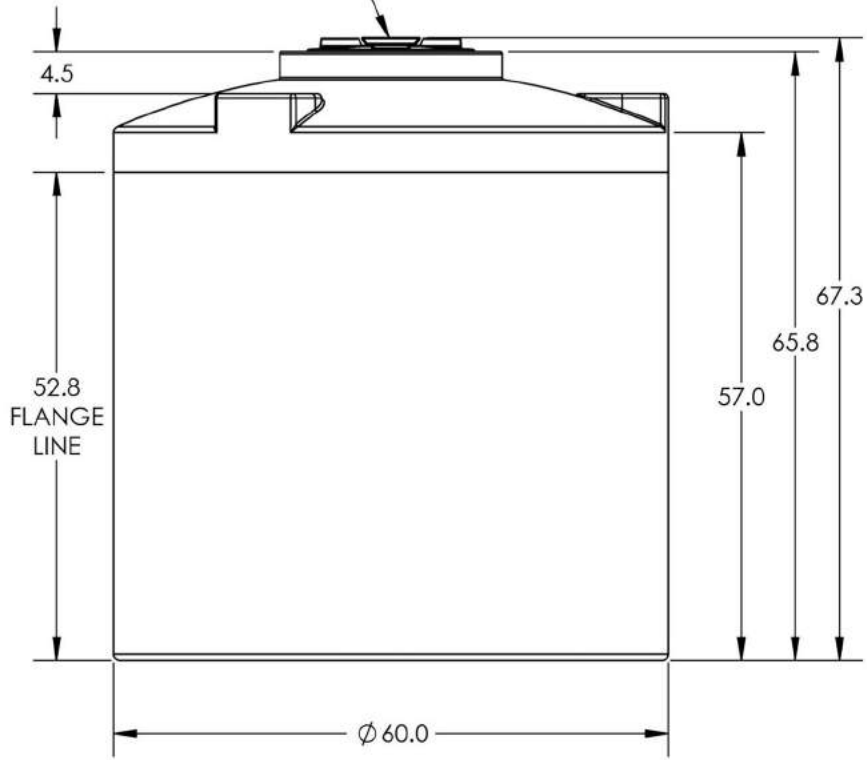


18" PE THREADED/VENTED  
MANWAY w/ 15" ACCESS



\*ALL EXTERNAL PIPING MUST BE INDEPENDENTLY SUPPORTED.  
 \*ONLY BASE FITTINGS TO BE LEFT INSTALLED AT TIME OF SHIPMENT PER SII PROCEDURE.  
 \*Consult Snyder's Guidelines for Use and Installation prior to delivery.  
 Available on-line at <http://www.snyderindustriestanks.com/Technical>  
 ALL DIMENSIONS ARE IN INCHES, NOMINAL, & SUBJECT TO CHANGE WITHOUT NOTICE.  
 ALL DIMENSIONS ON ROTATIONAL MOLDED PARTS ARE SUBJECT TO A ± 3% TOLERANCE.

DO NOT SCALE		DRAWN BY	DATE	TITLE:		REVISION
STATUS:	Released	ET3	07/30/2013	ASM TK 710VDT X 60		A
© SNYDER INDUSTRIES INC., 2014				PART NO.		SHEET
ALL DIMENSIONS, DESIGNS, AND INFORMATION ON THIS PRINT MUST BE CONSIDERED PROPRIETARY TO SNYDER INDUSTRIES, INC. AND MAY NOT BE USED, COPIED, OR DISTRIBUTED WITHOUT WRITTEN PERMISSION OF AN OFFICER (OR HIS AGENT) OF THE FIRM.				ENG. ID.		1 OF 1

VSS710

(866) 776-8265

PROTANK

sales@protank.com