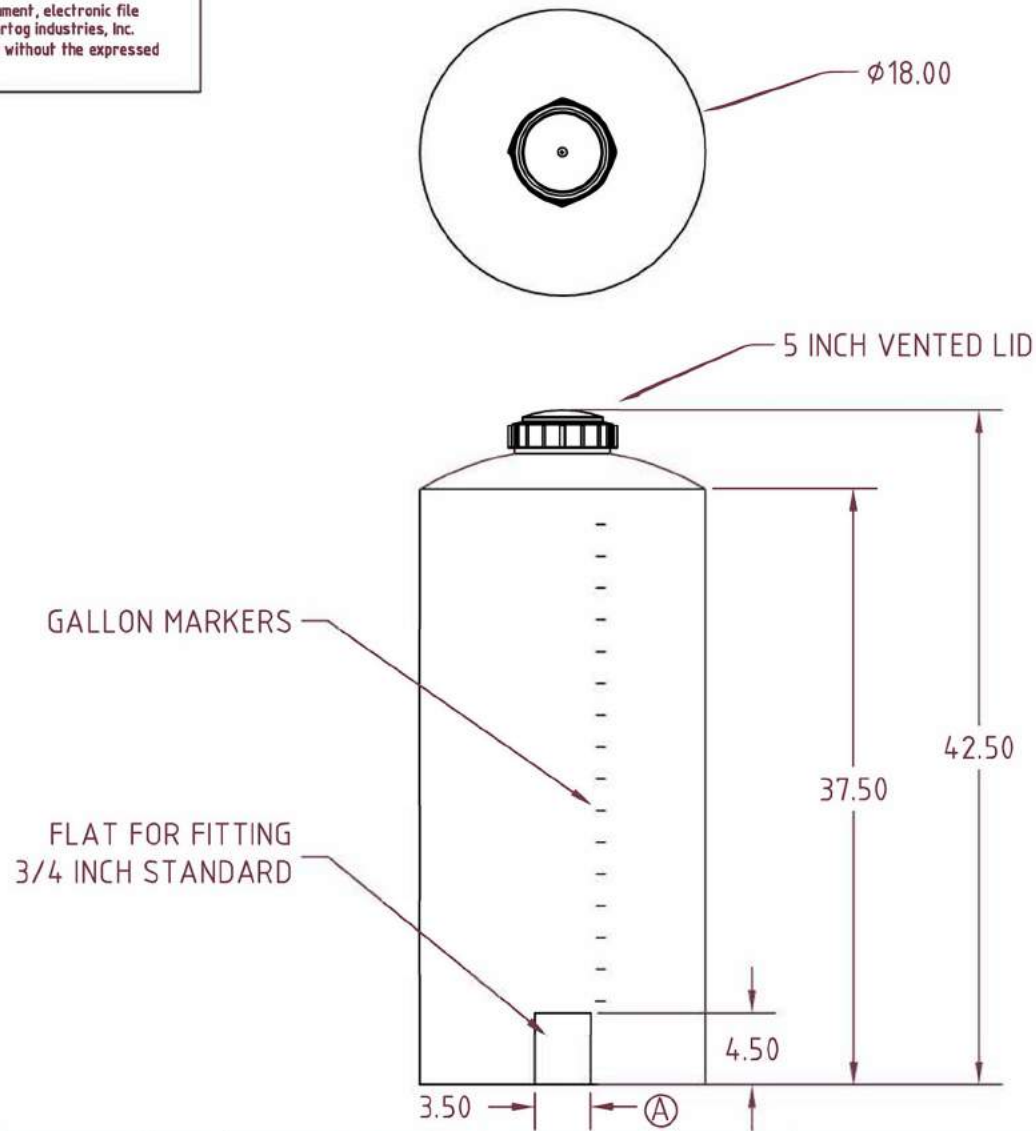


Copyright. All information furnished within this document, electronic file or design correspondence is the property of Den Hartog industries, Inc. and shall not be used, disclosed to others or copied without the expressed written consent of Den Hartog Industries, Inc.



			DRAWN / DATE	MATERIAL / SHOT WEIGHT		
		DHJ	9/19/03			
A	FLAT DIMENSIONS ADDED CEN 1701	ADH 7/30/08	APPRD. / DATE	HDPE / 17 LBS.	CLIENT / DESCRIPTION	
REV	DESCRIPTION	DATE APPRD.	ADH 11/19/07		40 GALLON VERTICAL TANK	
ALL DIMENSIONS ARE IN DECIMAL INCHES TOLERANCES UNLESS OTHERWISE SPECIFIED ± 1% @ 68° F			THIRD ANGLE PROJECTION ANSI 14.5M	NOTES:	SCALE	PART NO.
				1. NOM. WALL .180 2. BLACK, GREEN, WHITE OR YELLOW COLOR	NONE	