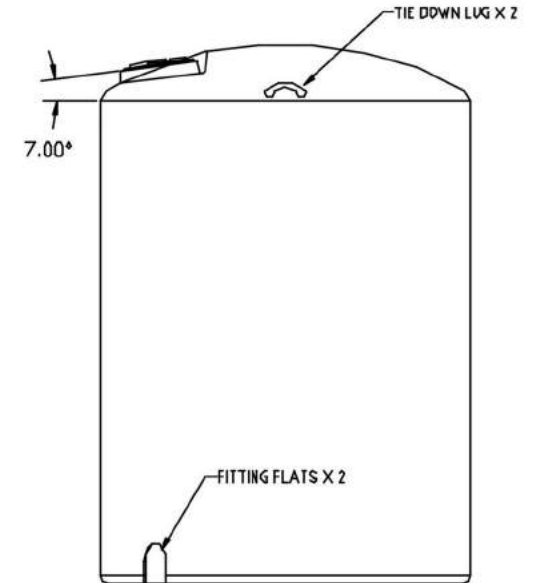
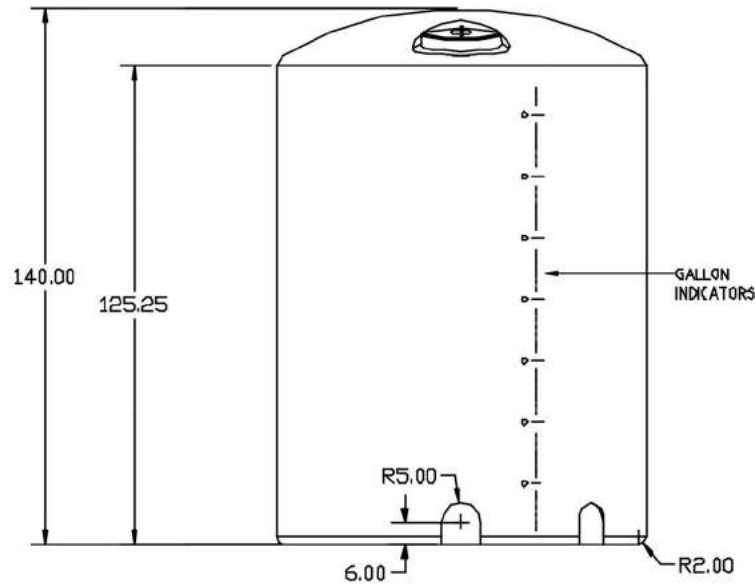
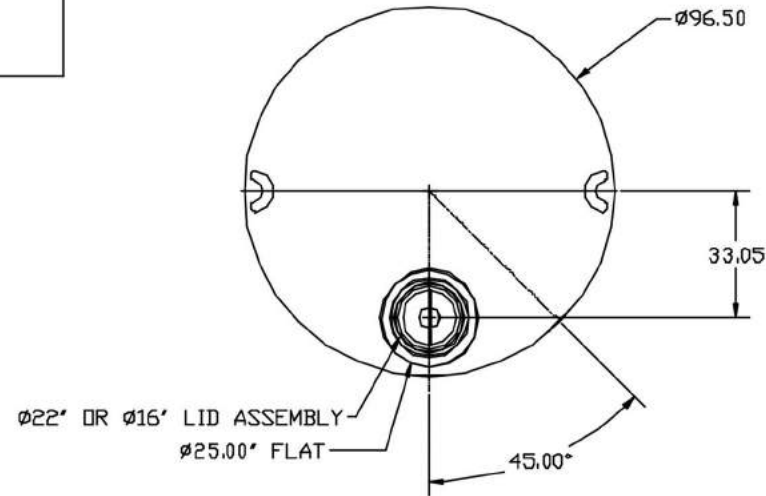


PROPRIETARY DATA

PROPERTY OF ACE ROTO-MOLD MFG, INC. INFORMATION FURNISHED HEREIN IS THE PROPERTY OF ACE ROTO-MOLD MFG, INC. AND SHALL NOT BE USED, DISCLOSED TO OTHERS, OR COPIED WITHOUT THE EXPRESSED WRITTEN CONSENT OF ACE ROTO-MOLD MFG, INC. ALL RIGHTS RESERVED.

FEATURES

1. 1 PIECE ROTATIONALLY MOLDED CONSTRUCTION
2. TRANSLUCENT COLORS
3. FDA APPROVED RESIN
4. UV STABILIZED
5. CALIBRATED IN GALLONS
6. THREE YEAR WARRANTY



				DRAWN / DATE NVE 6/8/15		MATERIAL			
				APPRD. / DATE DHJ 6/21/15		HDPE OR EQUIVALENT REFERENCE MATERIAL DATA SHEET FOR SPECIFIC PROPERTIES.			
REV	DESCRIPTION	DATE	APPRD					CLIENT / DESCRIPTION 4 GALLON VERTICAL TANK	
ALL DIMENSIONS ARE IN DECIMAL INCHES TOLERANCES UNLESS OTHERWISE SPECIFIED ± 1% @ 68° F				THIRD ANGLE PROJECTION ANSI 14.5M 		NOTES: 1. .640 THK AT FITTING 2. WHITE OR COLD R 3. SHDT WEIGHT 911 LBS.		SCALE N.S.	
								PART NO.	

VWA4000

(866) 776-8265

PROTANK

sales@protank.com