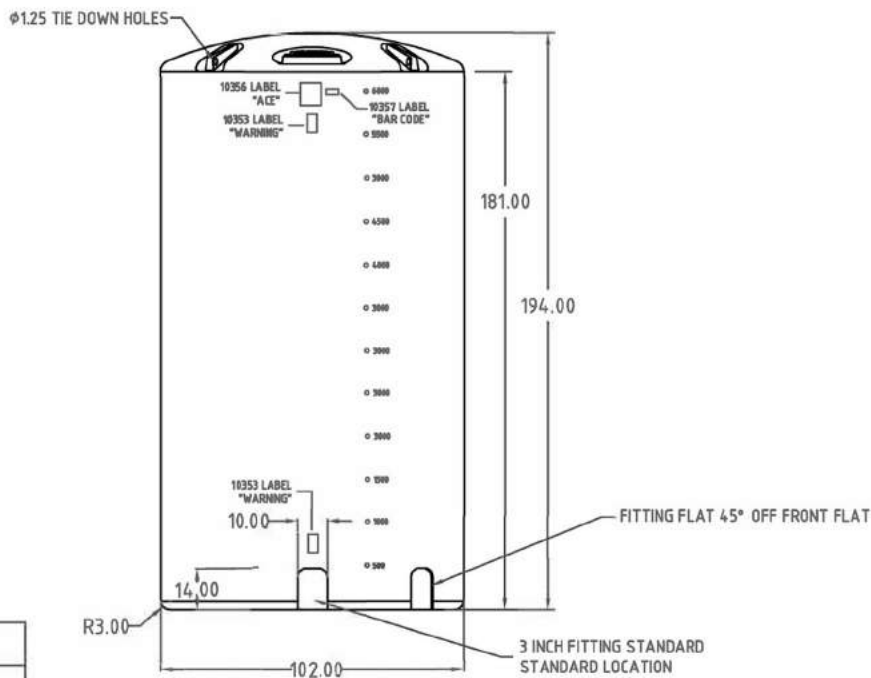
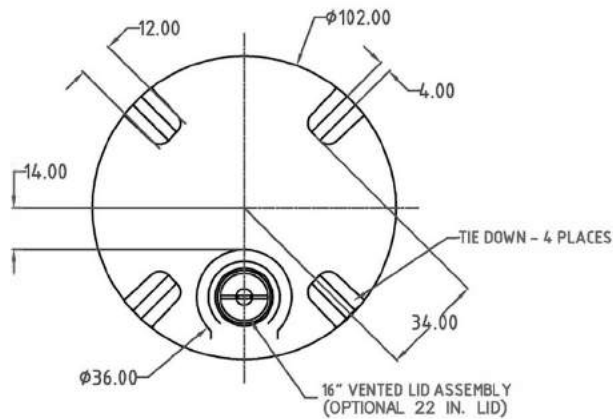


Copyright. All information furnished within this document, electronic file or design correspondence is the property of Den Hartog Industries, Inc. and shall not be used, disclosed to others or copied without the expressed written consent of Den Hartog Industries, Inc.



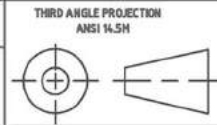
E	CHANGED STANDARD FITTING FROM 2" TO 3"	3/31/10 DHJ	2013
D	ADD SIDE WALL HEIGHT	8/07/06 DHJ	
C	CHANGED Ø3.00 TO Ø1.25 TIE DOWN	8/23/05 NVE	
B	ADD FITTING DESIGNATION	3/12/04 DHJ	
A	ADDED PART NUMBERS	4/19/06	EDB
REV	DESCRIPTION	BY / DATE	CCN

DRAWN / DATE	MATERIAL
REH/5/8/98	HDPE OR EQUIVALENT
APPRD. / DATE	
DHJ 8/31/05	

ALL DIMENSIONS ARE IN DECIMAL INCHES
TOLERANCES UNLESS OTHERWISE SPECIFIED

POLYETHYLENE
±1% @ 68° F

METAL
DECIMAL ± .125"
FRACTION ± 1/4"
ANGLE ± 1°



NET WEIGHT: 1550
SHIPPING WEIGHT: 1552
FINISH:

NOTES:
1. WHITE, BLACK, OR YELLOW COLOR
2. 0.74 WALL @ FLAT

DESCRIPTION		6250 GALLON VERTICAL TANK	
SCALE	N.S.	PART NO.	