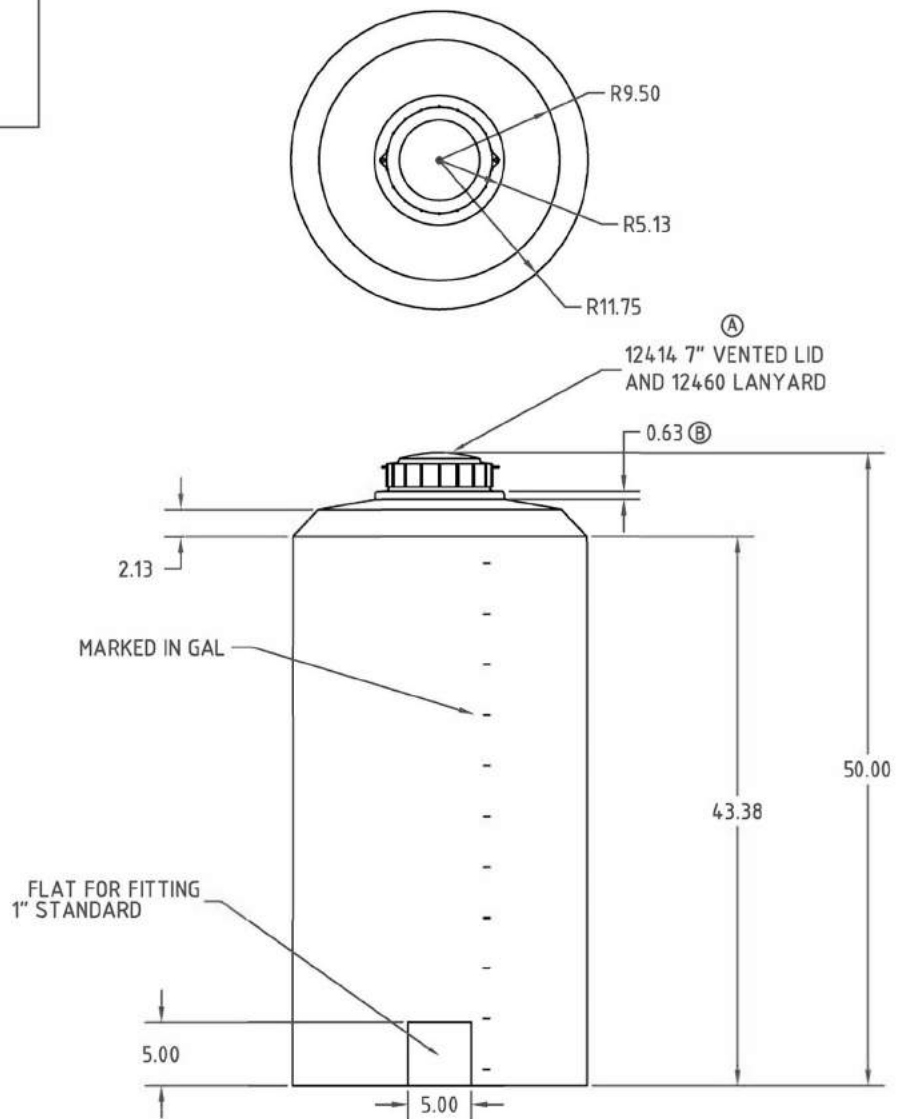


PROPRIETARY DATA

PROPERTY OF ACE ROTO-MOLD MFG., INC. INFORMATION FURNISHED HEREIN IS THE PROPERTY OF ACE ROTO-MOLD MFG., INC. AND SHALL NOT BE USED, DISCLOSED TO OTHERS, OR COPIED WITHOUT THE EXPRESSED WRITTEN CONSENT OF ACE ROTO-MOLD MFG., INC. ALL RIGHTS RESERVED.

B



| | | | | | | |
|---|---------------------------|-------------|--|------------------------|-------------------------|----------|
| | | | DRAWN /DATE DHJ 3/29/05 | MATERIAL / SHOT WEIGHT | | |
| B | ADDED LID BOSS CCN 1415 | DHJ 8/8/07 | APPRD. /DATE GWC 6/29/07 | HDPE / 28 LBS. | CLIENT / DESCRIPTION | |
| A | CHANGE TO 7" LID CCN 1374 | GWC 6/29/07 | GWC 6/29/07 | | 75 GALLON VERTICAL TANK | |
| REV | DESCRIPTION | DATE APPRD. | | | SCALE | PART NO. |
| ALL DIMENSIONS ARE IN DECIMAL INCHES TOLERANCES UNLESS OTHERWISE SPECIFIED ± 1% @ 68° F | | | THIRD ANGLE PROJECTION ANSI 14.5M | | NONE | |

VWA75

(866) 776-8265

PROTANK

sales@protank.com