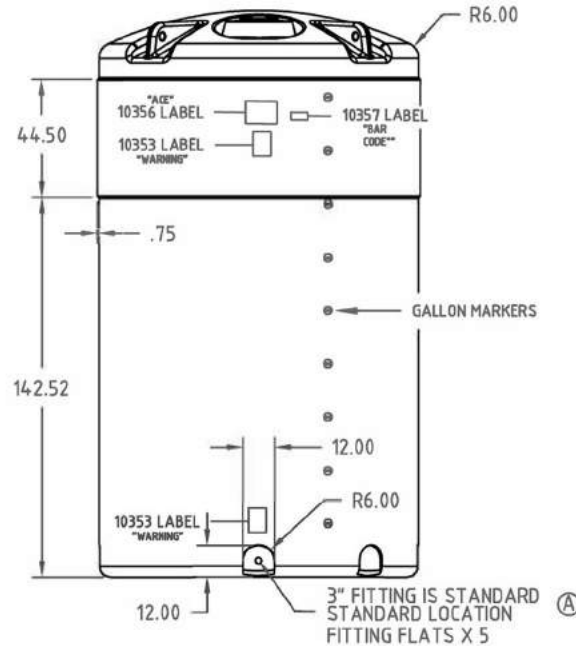
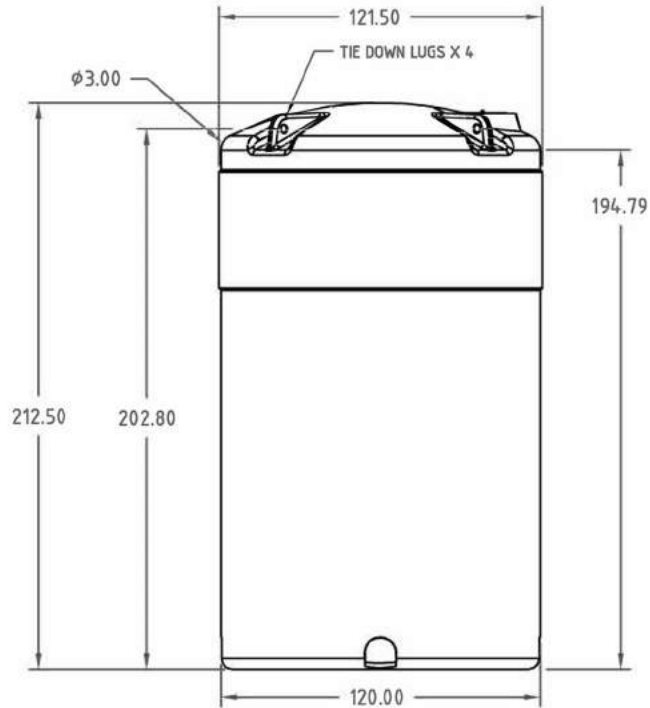
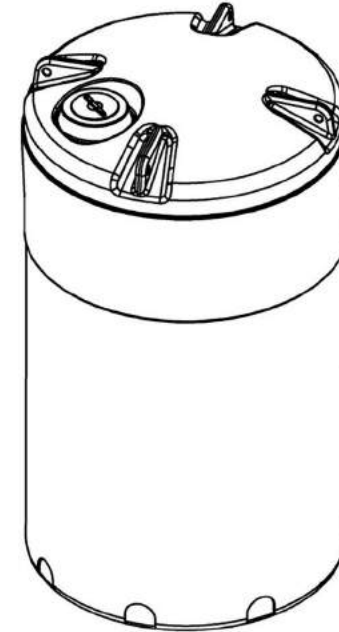
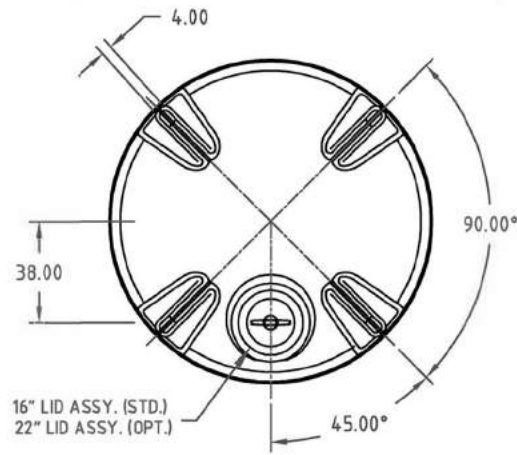


Copyright. All information furnished within this document, electronic file or design correspondence is the property of Den Hartog Industries, Inc. and shall not be used, disclosed to others or copied without the expressed written consent of Den Hartog Industries, Inc.



		DRAWN / DATE DHJ/8/1/09		MATERIAL 1.)HDPE OR EQUIVALENT	
A CHANGED STANDARD FITTING FROM 27O 3"		DHJ 4/1/10 2013		APPRD. / DATE REH / 8/26/09	
REV	DESCRIPTION	BY / DATE	CCN		
ALL DIMENSIONS ARE IN DECIMAL INCHES TOLERANCES UNLESS OTHERWISE SPECIFIED		THIRD ANGLE PROJECTION ANSI 14.5M		SHOT WEIGHT: 2350 LBS	
POLYETHYLENE		METAL DECIMAL ± .125" FRACTION ± 1/4" ANGLE ± 1°		SHIPPING WEIGHT: 2352 LBS	
±1% @ 68° F				FINISH:	
				NOTES: 1. 1.23 THICK AT FLAT	
				DESCRIPTION 9500 GALLON VERTICAL TANK	
				SCALE N.S. PART NO.	