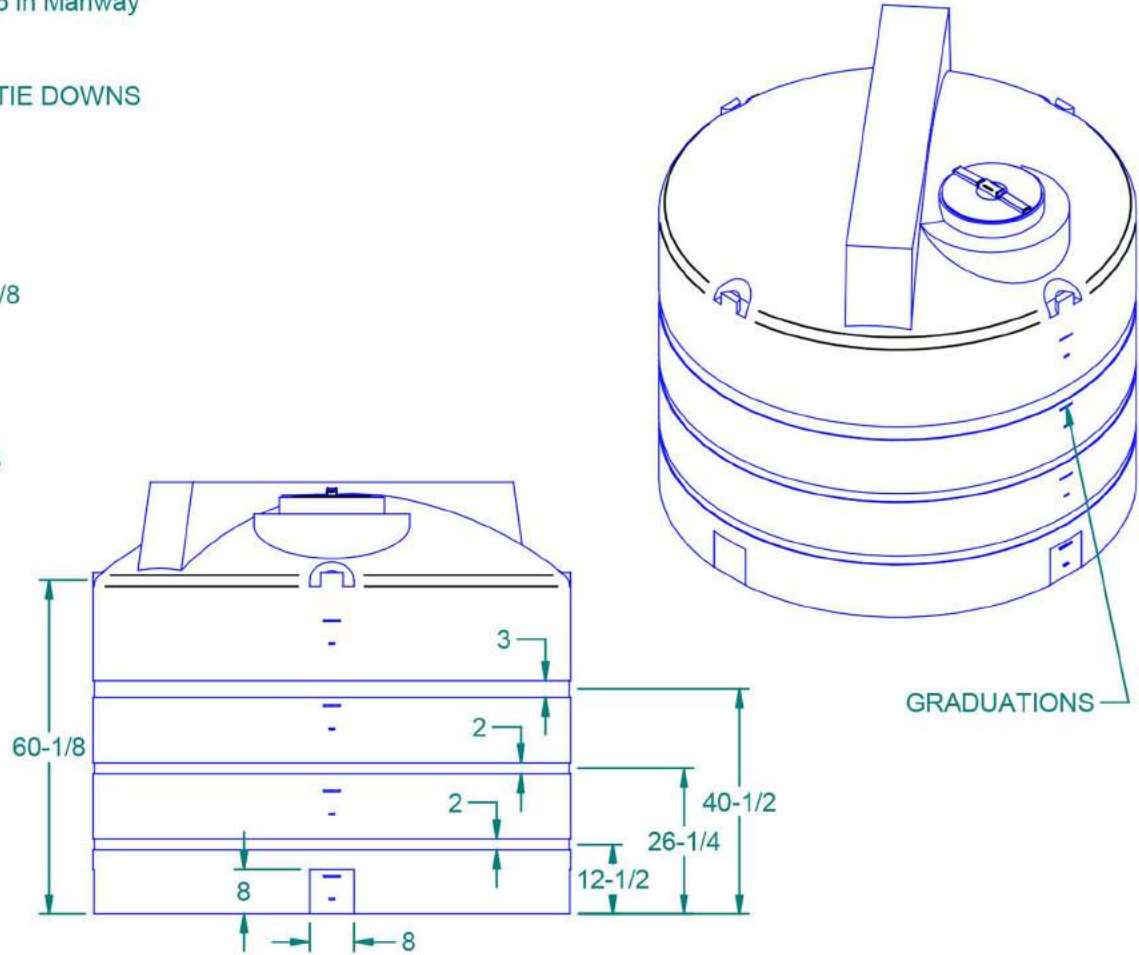
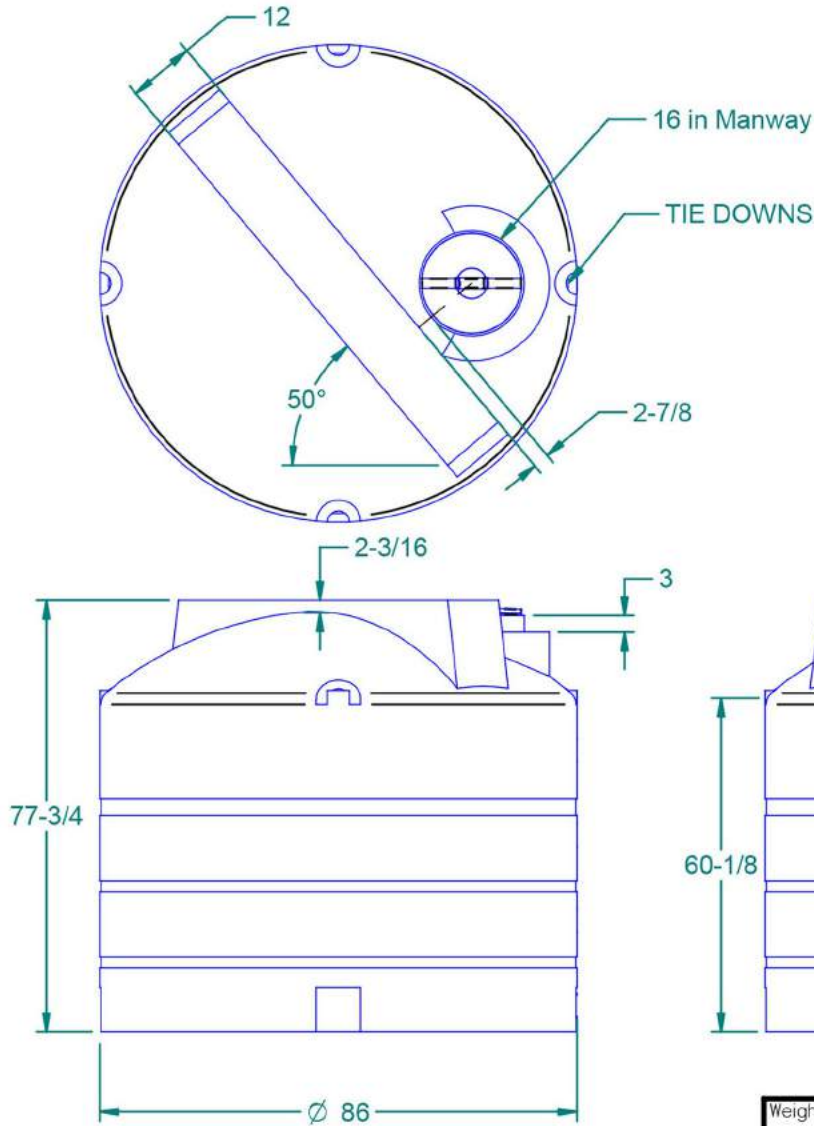


MAIN PRODUCT INFORMATION

REVISION HISTORY				
REV	DESCRIPTION	DATE	APPROVED	Revised By
10	ADDED 3" RING TO INCREASE CAPACITY	02/11/10		



Weight: 244564 lbm		NAME	DATE	
Wall Thickness: 0.250 in	Drawn By: mnegron		2/11/2010	
Customer Part No: n/a	Customer APPR			Customer:
Print Date: 2/15/2010	Copyright©2007 Dura-Cast Products, Inc.			PartTitle: I650 Gal Vertical Tank
Comments: - UNLESS OTHERWISE SPECIFIED DIMENSIONS ARE IN INCHES - Std Radii 3/16"	Tolerance: UNLESS OTHERWISE SPECIFIED TOLERANCES ARE ±1%			File Name: V-I650 Vertical (Flat Top) 02.dft
				Size: A Material: Polyethylene, low density Rev: 10
				Part No: Do Not Scale Sheet 1 OF 1

VWD1650

(866) 776-8265

PROTANK

sales@protank.com