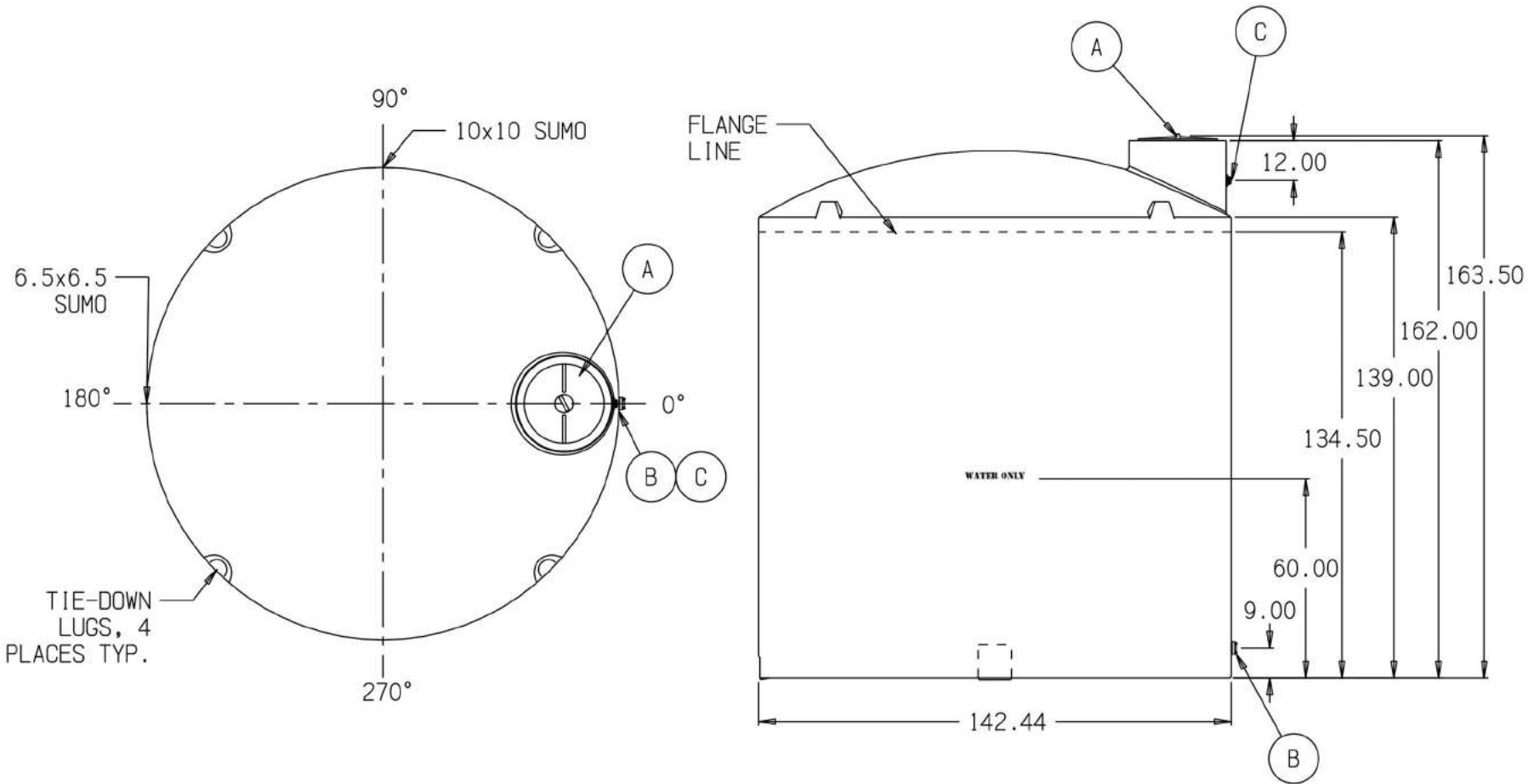


**WATER**



- A. 24" PE THREADED-VENTED MANWAY W/15" ACCESS
- B. 2" PP DBL FLANGED BOLTED FTG W/EPDM GASKETS & SS BOLTS
- C. 1-1/2" PP TxT BH BANJO FTG W/EPDM GASKET I

\* BASE FITTINGS TO BE LEFT INSTALLED AT TIME OF SHIPMENT PER S11 PROCEDURE

ALL DIMENSIONS, DESIGNS, AND INFORMATION ON THIS PRINT MUST BE CONSIDERED PROPRIETARY TO SNYDER INDUSTRIES, INC. AND MAY NOT BE USED, COPIED, OR DISTRIBUTED WITHOUT WRITTEN PERMISSION OF AN OFFICER (OR HIS AGENT) OF THE FIRM.

APPROVED: \_\_\_\_\_

SIGNATURE: \_\_\_\_\_ DATE: \_\_\_\_\_  
DRAWING NOT VALID UNLESS SIGNED  
(all dimensions in inches)

PART # TANK: \_\_\_\_\_

**10,000 GALLON BLACK & DARK OLIVE GREEN WATER TANK**

REF#: 00000

11/23/11

**VWS10000**

**(866) 776-8265**

**PROTANK**

**sales@protank.com**