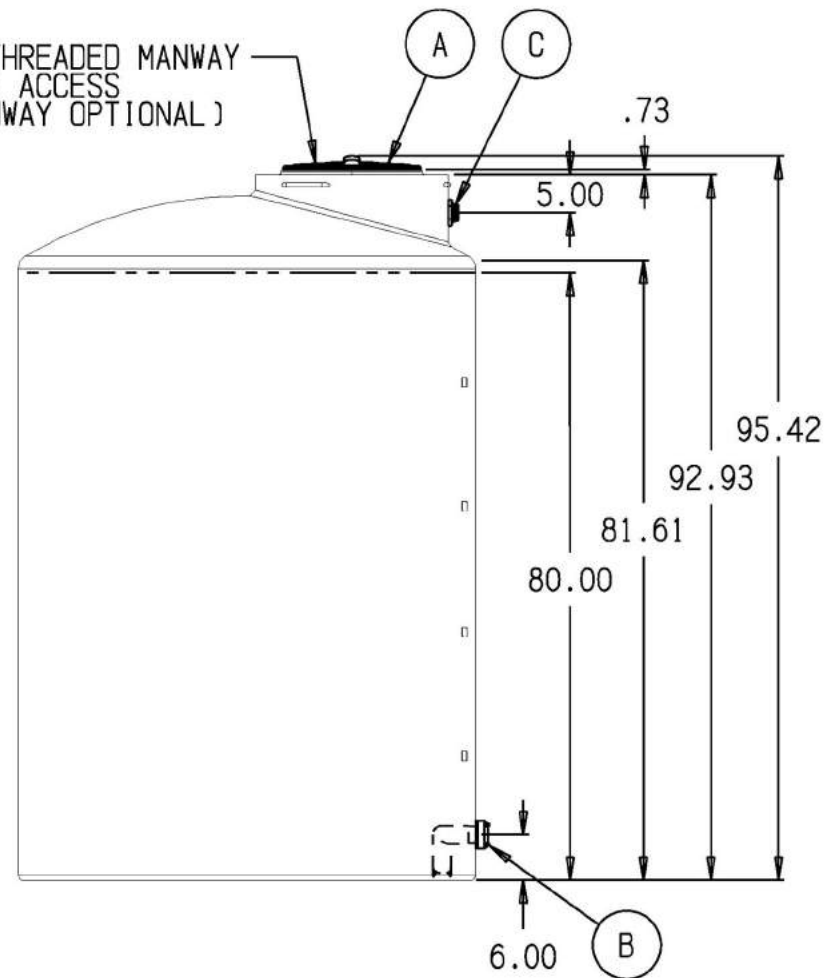


18" PE THREADED MANWAY
WITH 15" ACCESS
(24" MANWAY OPTIONAL)



- A. 18" PE THREADED-VENTED MANWAY W/15" ACCESS
- B. 2" PP DBL FLANGED BOLTED LONG SIPHON TUBE ASSY W/EPDM GASKETS & SS BOLTS
- C. 1-1/2" PP T x T BH BANJO FTG W/EPDM GASKET

BASE FITTINGS TO BE LEFT INSTALLED AT TIME OF SHIPMENT PER SII PROCEDURE

(all dimensions in inches)

PART # TANK:
HDLPE/BLACK OR HDLPE/GDO
1.0 SPGR
REF#: 00000

01/12/11

1,025 GAL. BLACK OR DARK OLIVE GREEN WATER TANK

VWS1025

(866) 776-8265

PROTANK

sales@protank.com