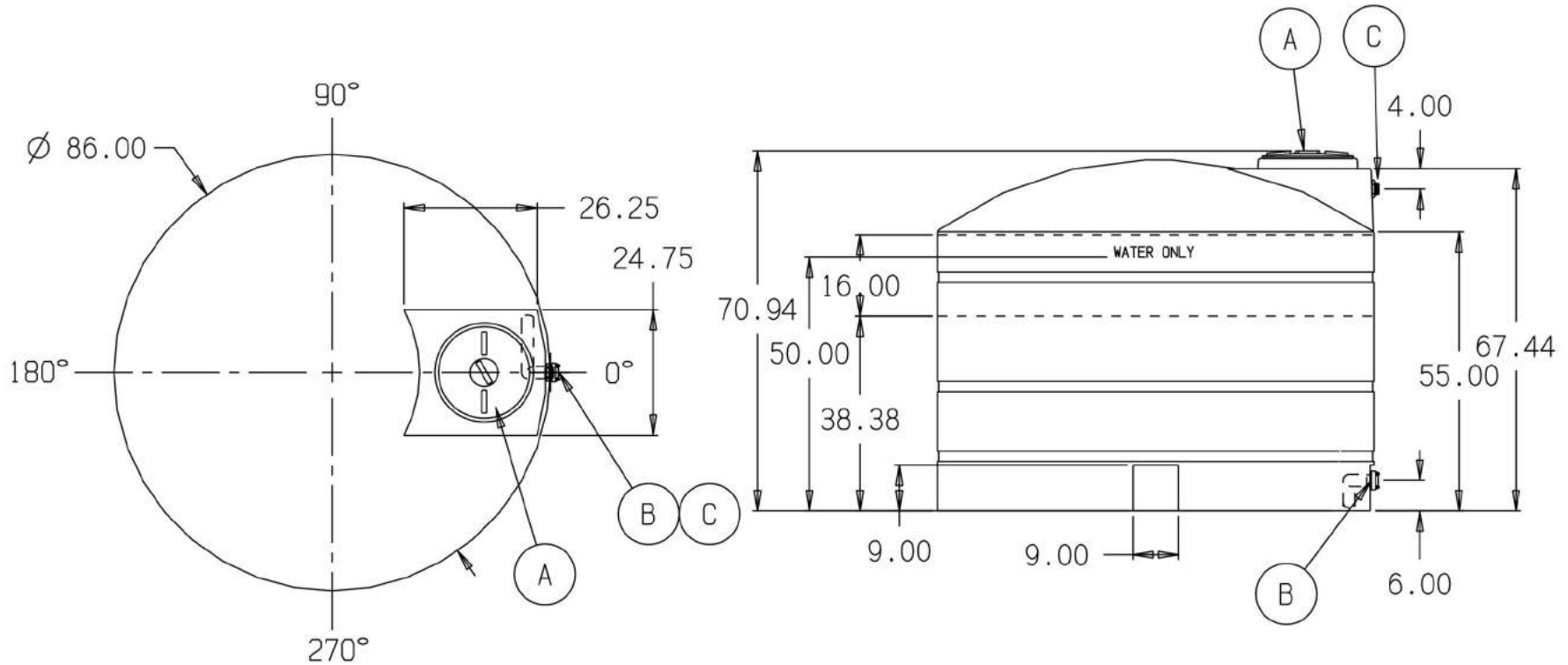


# WATER



- A. 18" PE THREADED-VENTED MANWAY W/15" ACCESS
- B. 2" PP DBL FLANGED BOLTED LONG SIPHON TUBE ASSY W/EPDM GASKETS & SS BOLTS
- C. 1-1/2" PP TxT BH BANJO FTG W/EPDM GASKET

\* BASE FITTINGS TO BE LEFT INSTALLED AT TIME OF SHIPMENT PER SII PROCEDURE  
 \* Consult Snyder's Guidelines for Use and Installation prior to delivery.  
 Available on-line at [www.snyder.net.com](http://www.snyder.net.com)

(all dimensions in inches)

PART # TANK: HDLPE/BLK & GDD/WATER

REF#: 00000

04/03/07

## 1,500 BLACK & DARK OLIVE GREEN WATER TANK

VWS1500

(866) 776-8265

**PROTANK**

sales@protank.com